

DATA SHEET

Tip Combs

ISO ISO9001

ISO ISO13485

Features



Crafted from high-quality polypropylene, it boasts strong chemical resistance.



Offered in both 8-tip comb and 96-tip comb variations.

Free from Dnase, Rnase and human DNA.



Raw Material

These tip combs are produced using pure polypropylene material.

Application

These products securely position the magnetic rod, enhancing its ability to efficiently adsorb and separate within the sample solution. Polypropylene's inherent low binding affinity towards biomolecules makes it an optimal choice for handling magnetic particles, leading to exceptional recovery of magnetic beads. They are frequently employed alongside deep well plates for nucleic acid extraction experiments.

We Open To New Ideas!



SHAOXING GENFOLLOWER BIOTECH CO.,LTD.

Add: Eastern industrial park, Baiguan street, Shangyu district, Shaoxing city, Zhejiang province, China

Email: GenFollower@Genfollower.com

Web: www.GenFollower.com

Fax: +86-575-82032762

Tel: +86-575-82936953

**GenFollower**[®]

DATA SHEET

Tip Combs

ISO ISO9001

ISO ISO13485

Product Range

| CAT | Description | Packaging |
|---------|--|---------------------------------------|
| DKT0096 | 96 Tip Combs, sterile, DNase and RNase free | 2 PCS/Bag, 50 Bags/Case |
| DKT1008 | 8 Tip Combs, compatible with EXM3000, DNase and RNase free | 2 PCS/Bag, 240 Bags/Case |
| DKT2008 | 8 Tip Combs, compatible with VNP-32, DNase and RNase free | 2 PCS/Bag, 250 Bags/Case |
| MC00001 | 8 Tip Combs, compatible with TIANLONG GeneRotex 96, DNase and RNase free | 1 Set/Bag, 50 Bags/Rack, 9 Racks/Case |

SHAOXING GENFOLLOWER BIOTECH CO.,LTD.

Add: Eastern industrial park, Baiguan street, Shangyu district, Shaoxing city, Zhejiang province, China

Email: GenFollower@Genfollower.com

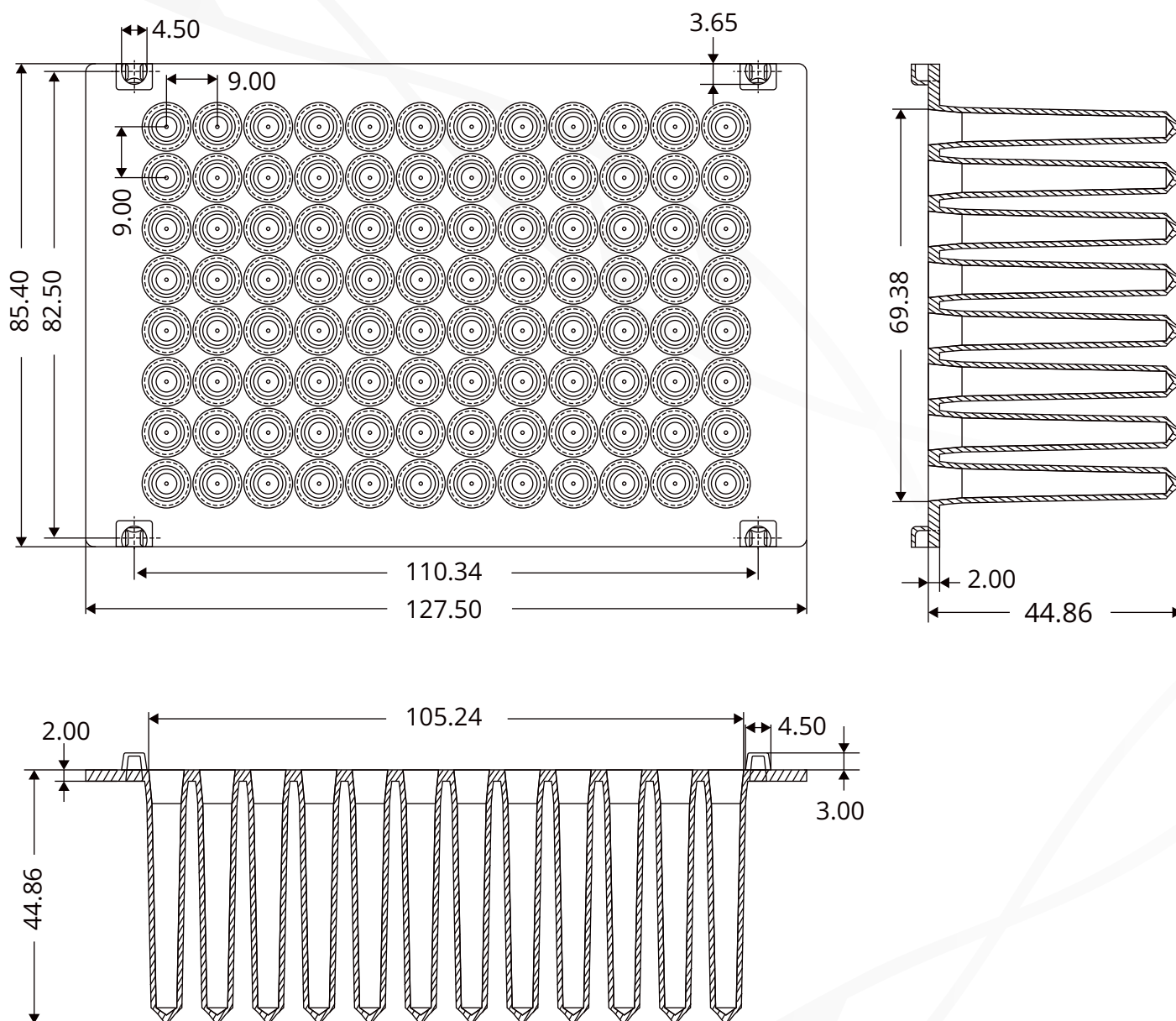
Web: www.GenFollower.com

Fax: +86-575-82032762

Tel: +86-575-82936953



Technical Drawing - DKT0096



(Unit: mm)

SHAOXING GENFOLLOWER BIOTECH CO.,LTD.

Add: Eastern industrial park, Baiguan street, Shangyu district, Shaoxing city, Zhejiang province, China

Email: GenFollower@Genfollower.com

Web: www.GenFollower.com

Fax: +86-575-82032762

Tel: +86-575-82936953

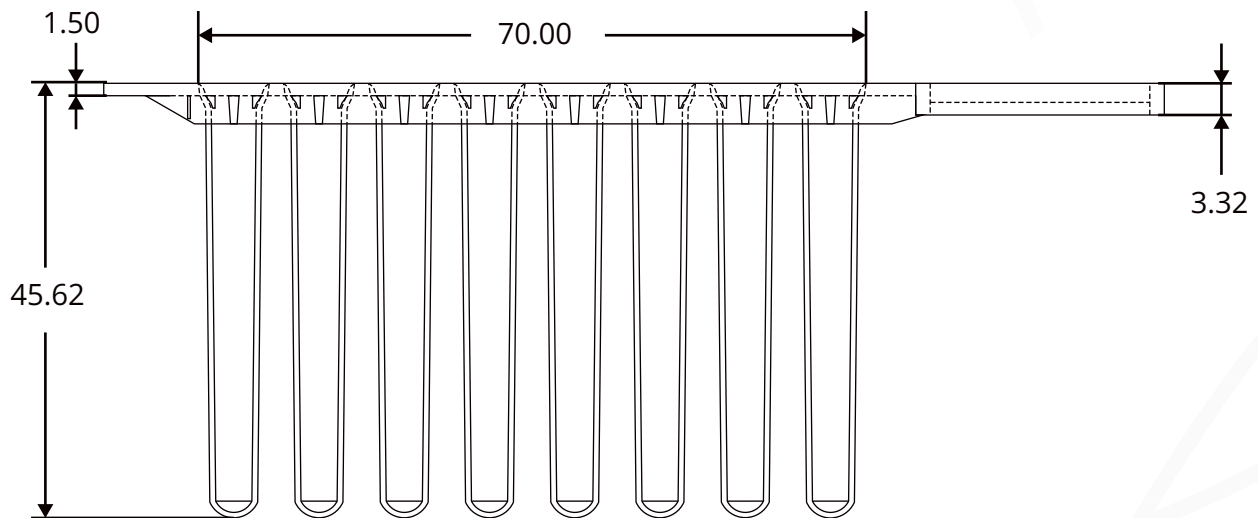
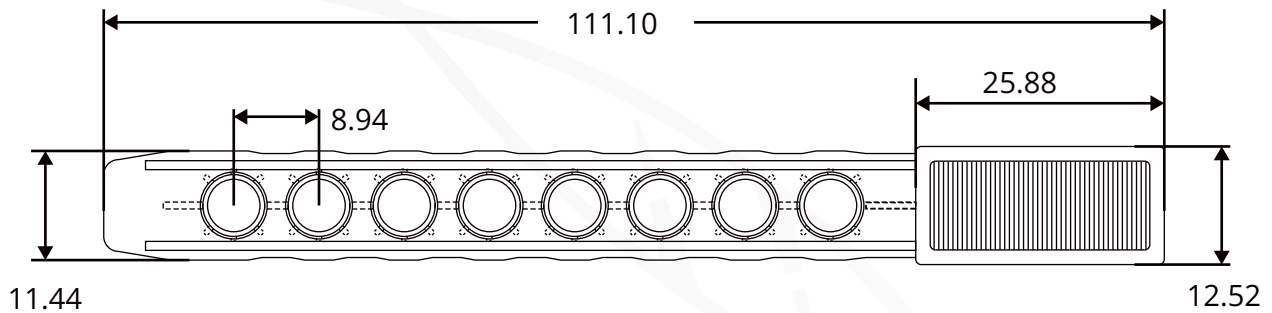
DATA SHEET

Tip Combs

ISO 9001

ISO 13485

Technical Drawing - DKT1008



(Unit: mm)

SHAOXING GENFOLLOWER BIOTECH CO.,LTD.

Add: Eastern industrial park, Baiguan street, Shangyu district, Shaoxing city, Zhejiang province, China

Email: GenFollower@Genfollower.com

Web: www.GenFollower.com

Fax: +86-575-82032762

Tel: +86-575-82936953

 GenFollower®

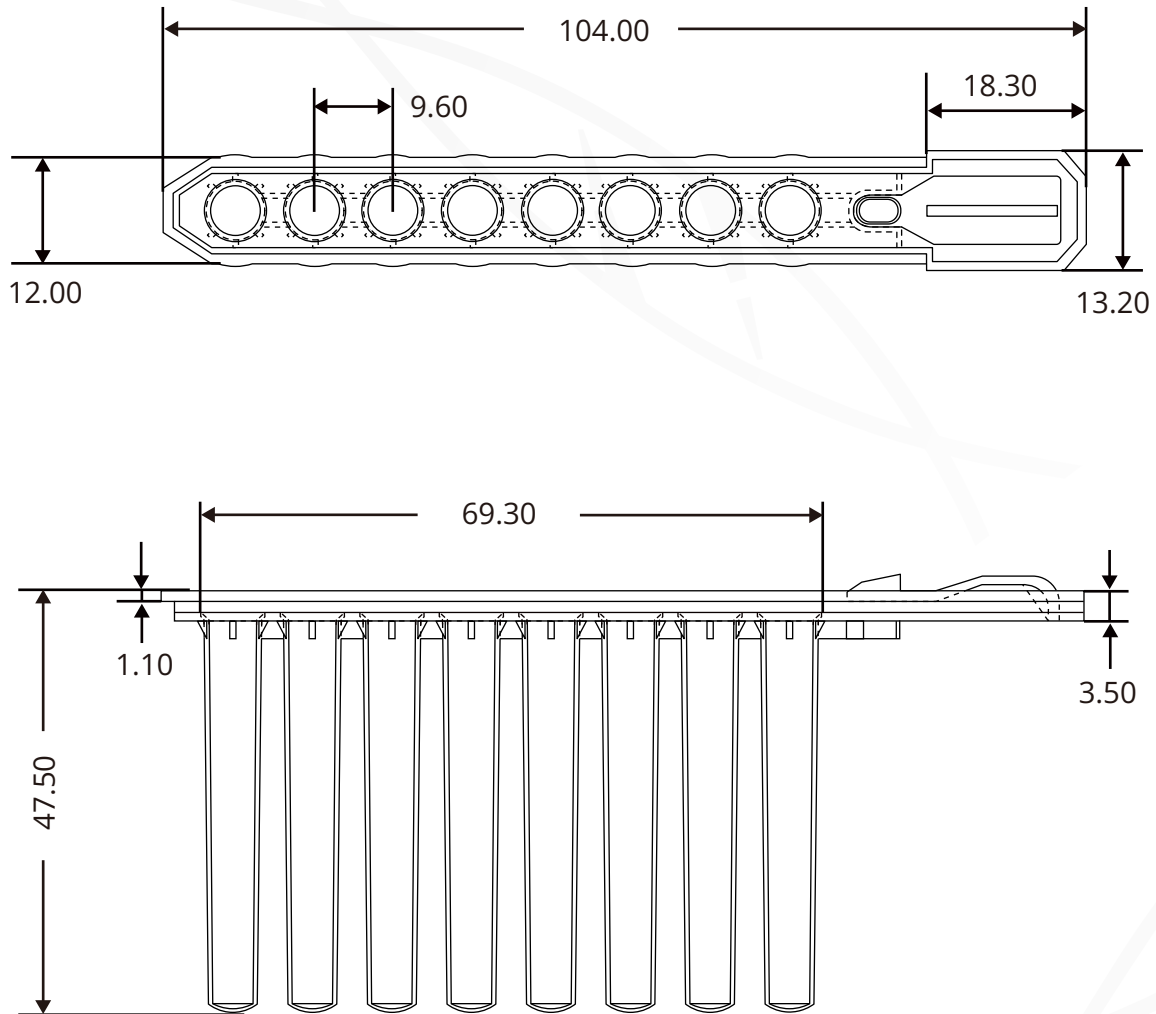
DATA SHEET

Tip Combs

ISO 9001

ISO 13485

Technical Drawing - DKT2008



(Unit: mm)

SHAOXING GENFOLLOWER BIOTECH CO.,LTD.

Add: Eastern industrial park, Baiguan street, Shangyu district,
Shaoxing city, Zhejiang province, China

Email: GenFollower@Genfollower.com

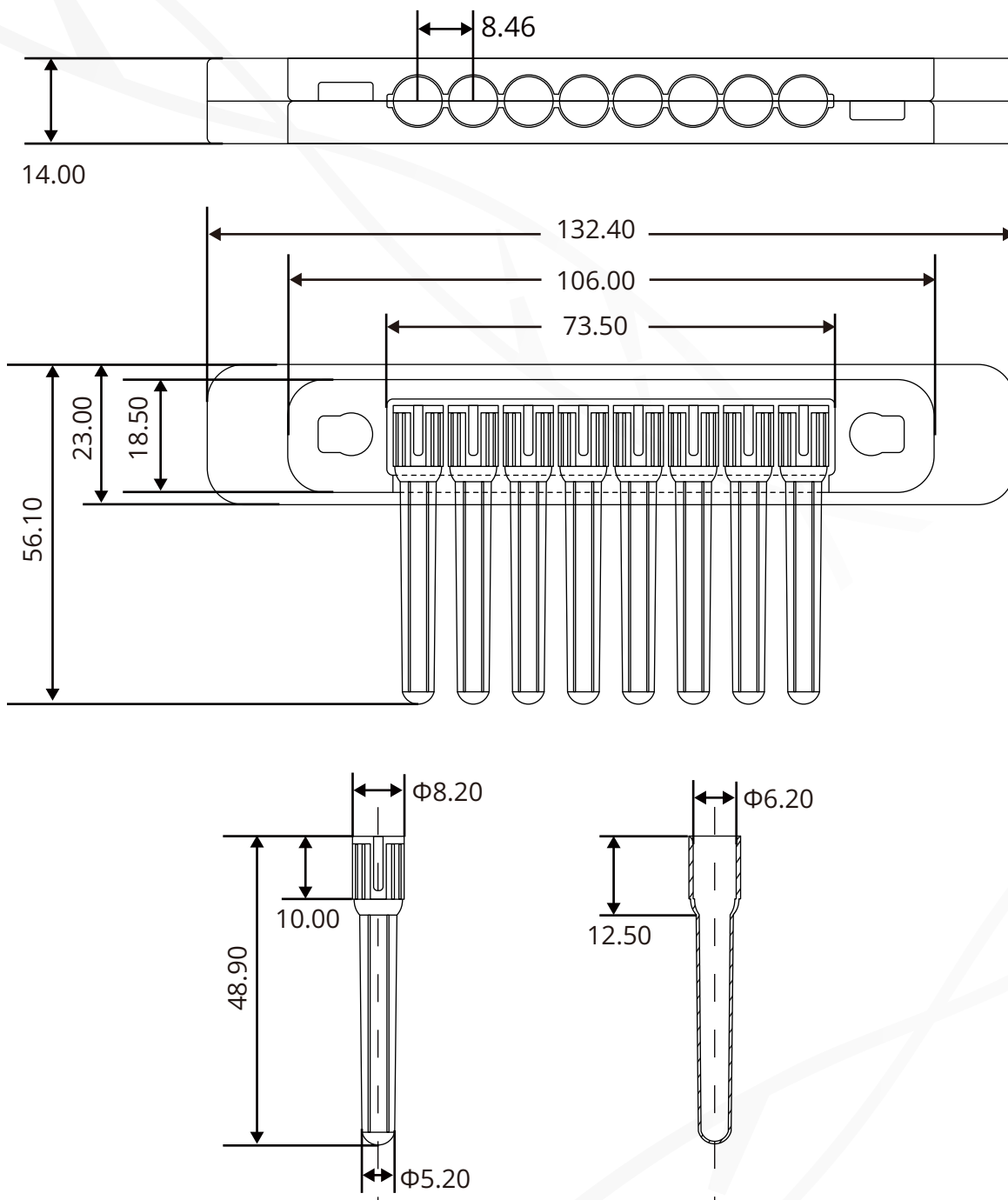
Web: www.GenFollower.com

Fax: +86-575-82032762

Tel: +86-575-82936953

 GenFollower®

Technical Drawing - MC00001



(Unit: mm)

SHAOXING GENFOLLOWER BIOTECH CO.,LTD.

Add: Eastern industrial park, Baiguan street, Shangyu district, Shaoxing city, Zhejiang province, China

Email: GenFollower@Genfollower.com

Web: www.GenFollower.com

Fax: +86-575-82032762

Tel: +86-575-82936953