

# DATA SHEET

*Robotic tips for TECAN*

ISO ISO9001

ISO ISO13485

## Features

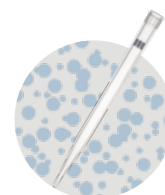


Robotic Tips for TECAN Liquid Handling Systems and flexible channel arms designed for TECAN liquid handling systems.



Produced in a 100,000-level dust-free workshop.

The filter achieve effectively prevent cross-infection.



Conductive uniformly, strong hydrophobicity.



## Raw Material

Manufactured of natural Polypropylene (PP) and conductive polypropylene (PP) using diamond polished molds.

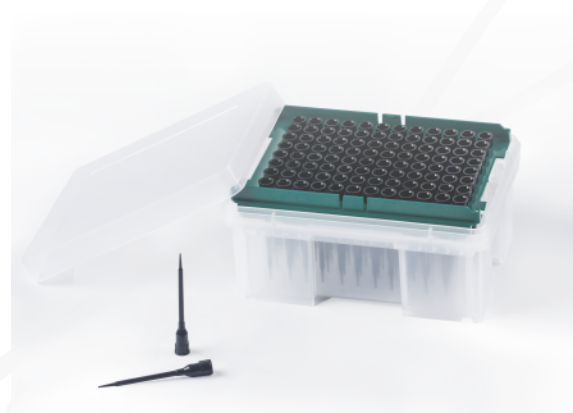
The filters of filter tips are made of Polyethylene (PE).

**We Open To New Ideas!**

## Application

Compatible with TECAN, Freedom EVO and Genesis RSP.

Used for prevent pipette contamination and sample cross-contamination.



\*Tecan® Freedom EVO® is a trademark of Tecan Trading AG.

## SHAOXING GENFOLLOWER BIOTECH CO.,LTD.

**Add:** Eastern industrial park, Baiguan street, Shangyu district, Shaoxing city, Zhejiang province, China

**Email:** GenFollower@Genfollower.com

**Web:** www.GenFollower.com

**Fax:** +86-575-82032762

**Tel:** +86-575-82936953

 GenFollower®

# DATA SHEET

*Robotic tips for TECAN*

ISO ISO9001

ISO ISO13485

## Product Range

Cat.#	Description	Packaging
AFT10TC	10uL, Non-Conductive, With Filter, sterile, RNase and DNase free	96 Tips/Rack, 24 Racks/Case
AFT10TC-C	10uL, Conductive, With Filter, sterile, RNase and DNase free	96 Tips/Rack, 24 Racks/Case
AT10TC	10uL, Non-Conductive, sterile, RNase and DNase free	96 Tips/Rack, 24 Racks/Case
AT10TC-C	10uL, Conductive, sterile, RNase and DNase free	96 Tips/Rack, 24 Racks/Case
AFT50TC	50uL, Non-Conductive, With Filter, sterile, RNase and DNase free	96 Tips/Rack, 24 Racks/Case
AFT50TC-C	50uL, Conductive, With Filter, sterile, RNase and DNase free	96 Tips/Rack, 24 Racks/Case
AT50TC	50uL, Non-Conductive, sterile, RNase and DNase free	96 Tips/Rack, 24 Racks/Case
AT50TC-C	50uL, Conductive, sterile, RNase and DNase free	96 Tips/Rack, 24 Racks/Case
AFT200TC	200uL, Non-Conductive, With Filter, sterile, RNase and DNase free	96 Tips/Rack, 24 Racks/Case
AFT200TC-C	200uL, Conductive, With Filter, sterile, RNase and DNase free	96 Tips/Rack, 24 Racks/Case
AT200TC	200uL, Non-Conductive, sterile, RNase and DNase free	96 Tips/Rack, 24 Racks/Case
AT200TC-C	200uL, Conductive, sterile, RNase and DNase free	96 Tips/Rack, 24 Racks/Case
AFT1000TC	1000uL, Non-Conductive, With Filter, sterile, RNase and DNase free	96 Tips/Rack, 24 Racks/Case
AFT1000TC-C	1000uL, Conductive, With Filter, sterile, RNase and DNase free	96 Tips/Rack, 24 Racks/Case
AT1000TC	1000uL, Non-Conductive, sterile, RNase and DNase free	96 Tips/Rack, 24 Racks/Case
AT1000TC-C	1000uL, Conductive, sterile, RNase and DNase free	96 Tips/Rack, 24 Racks/Case

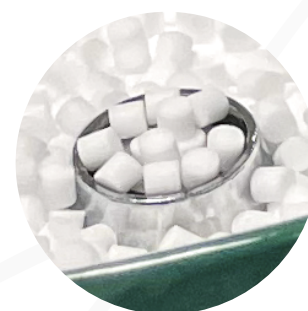
## Color



Non-Conductive tips: Clear



Conductive tips: Black



Filter: White

## SHAOXING GENFOLLOWER BIOTECH CO.,LTD.

**Add:** Eastern industrial park, Baiguan street, Shangyu district,  
Shaoxing city, Zhejiang province, China

**Email:** GenFollower@Genfollower.com

**Web:** www.GenFollower.com

**Fax:** +86-575-82032762

**Tel:** +86-575-82936953

 GenFollower®

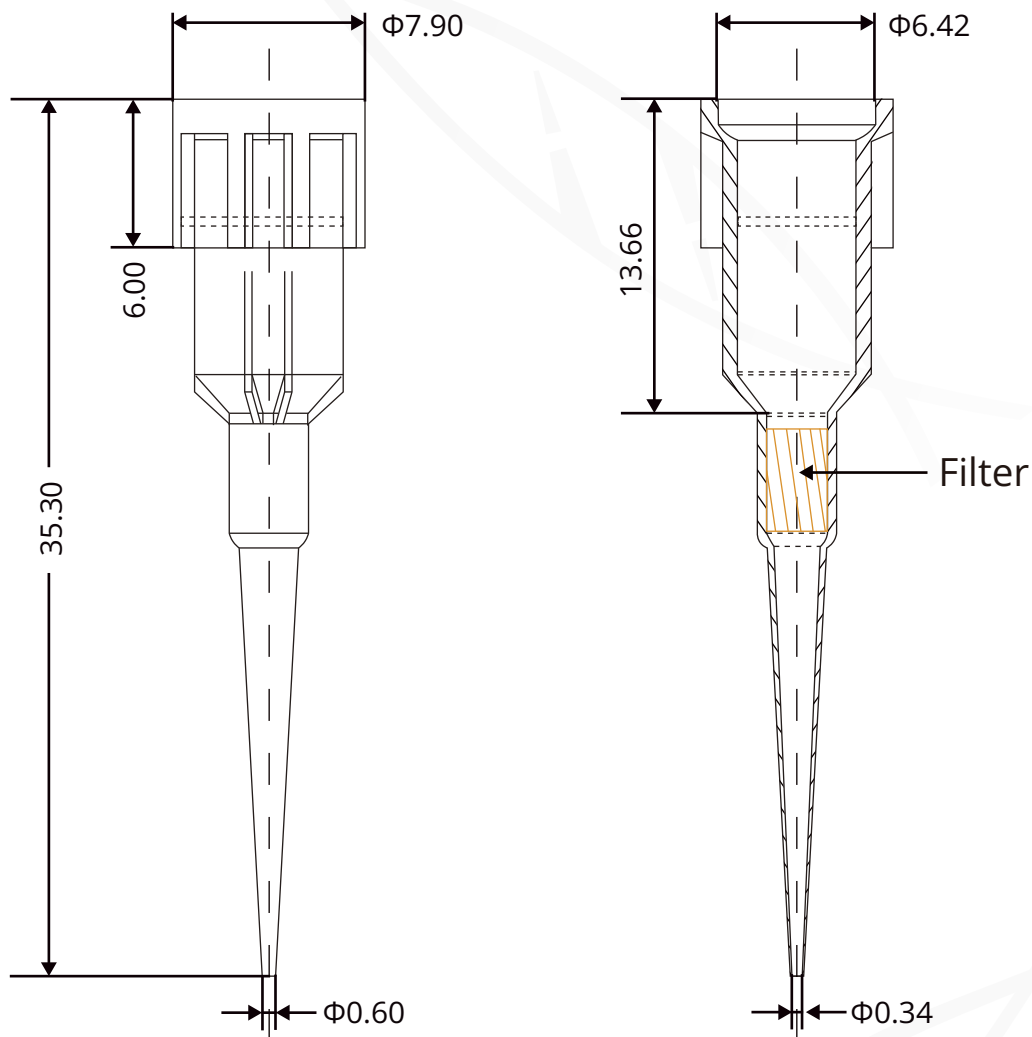
# DATA SHEET

Robotic tips for TECAN

ISO 9001

ISO 13485

## Technical Drawing - 10 $\mu$ L



(Unit: mm)

### SHAOXING GENFOLLOWER BIOTECH CO.,LTD.

**Add:** Eastern industrial park, Baiguan street, Shangyu district,  
Shaoxing city, Zhejiang province, China

**Email:** GenFollower@Genfollower.com

**Web:** www.GenFollower.com

**Fax:** +86-575-82032762

**Tel:** +86-575-82936953

 GenFollower<sup>®</sup>

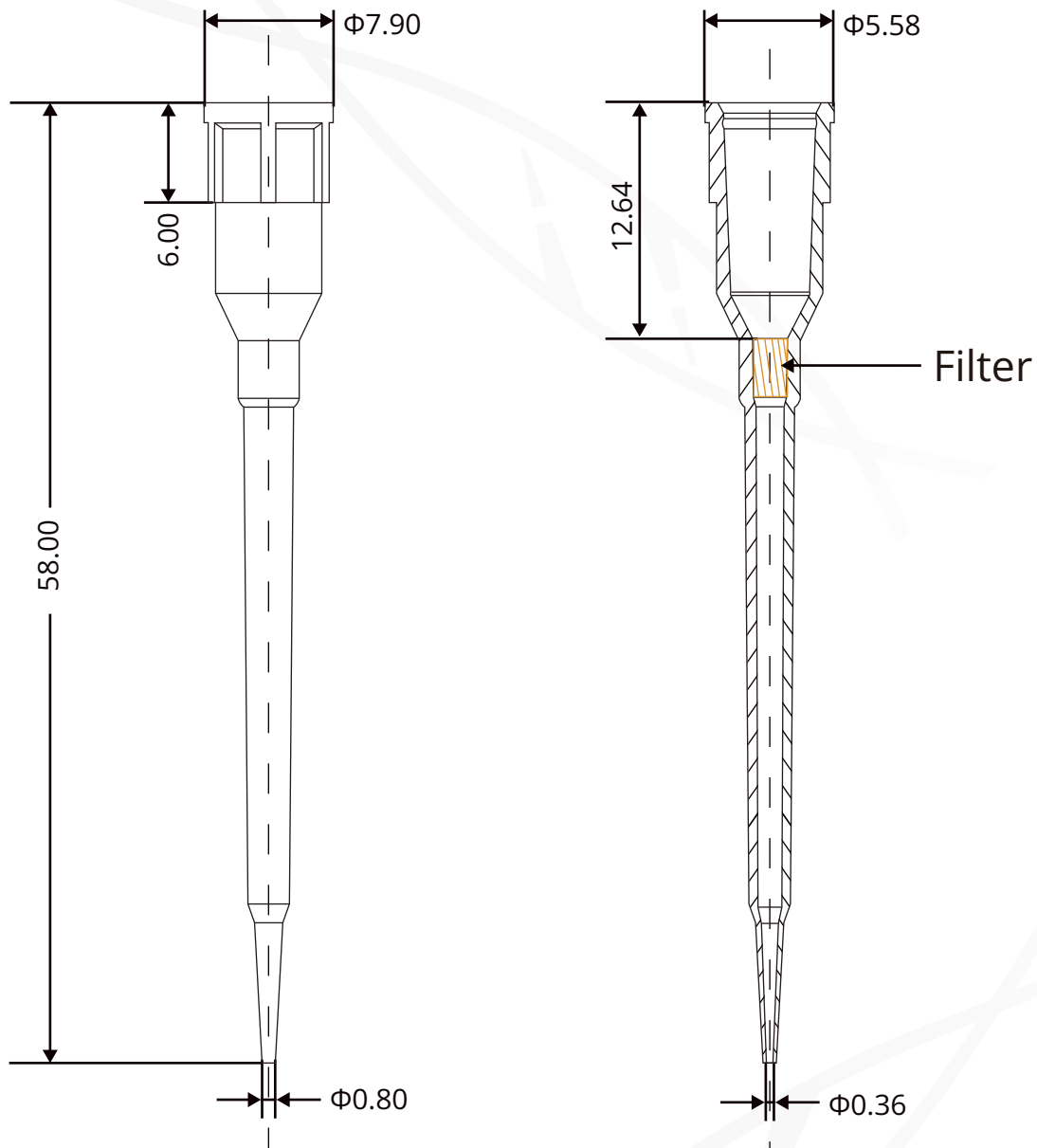
# DATA SHEET

Robotic tips for *TECAN*

ISO 9001

ISO 13485

## Technical Drawing - 50 $\mu$ L



(Unit: mm)

### SHAOXING GENFOLLOWER BIOTECH CO.,LTD.

**Add:** Eastern industrial park, Baiguan street, Shangyu district, Shaoxing city, Zhejiang province, China

**Email:** GenFollower@Genfollower.com

**Web:** www.GenFollower.com

**Fax:** +86-575-82032762

**Tel:** +86-575-82936953

 GenFollower<sup>®</sup>

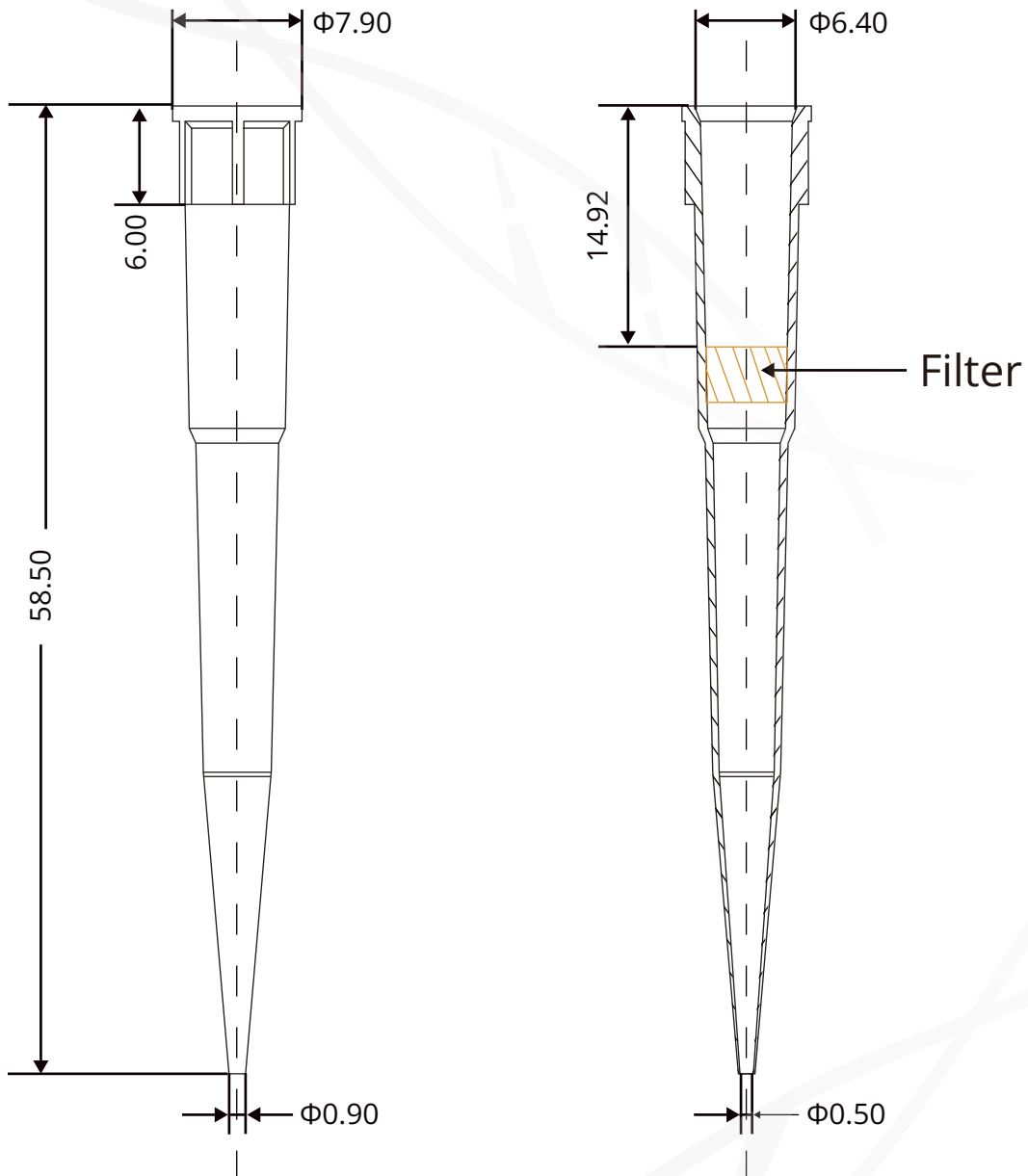
# DATA SHEET

Robotic tips for TECAN

ISO 9001

ISO 13485

## Technical Drawing - 200 $\mu$ L



(Unit: mm)

### SHAOXING GENFOLLOWER BIOTECH CO.,LTD.

**Add:** Eastern industrial park, Baiguan street, Shangyu district, Shaoxing city, Zhejiang province, China

**Email:** GenFollower@Genfollower.com

**Web:** www.GenFollower.com

**Fax:** +86-575-82032762

**Tel:** +86-575-82936953

**GenFollower**<sup>®</sup>

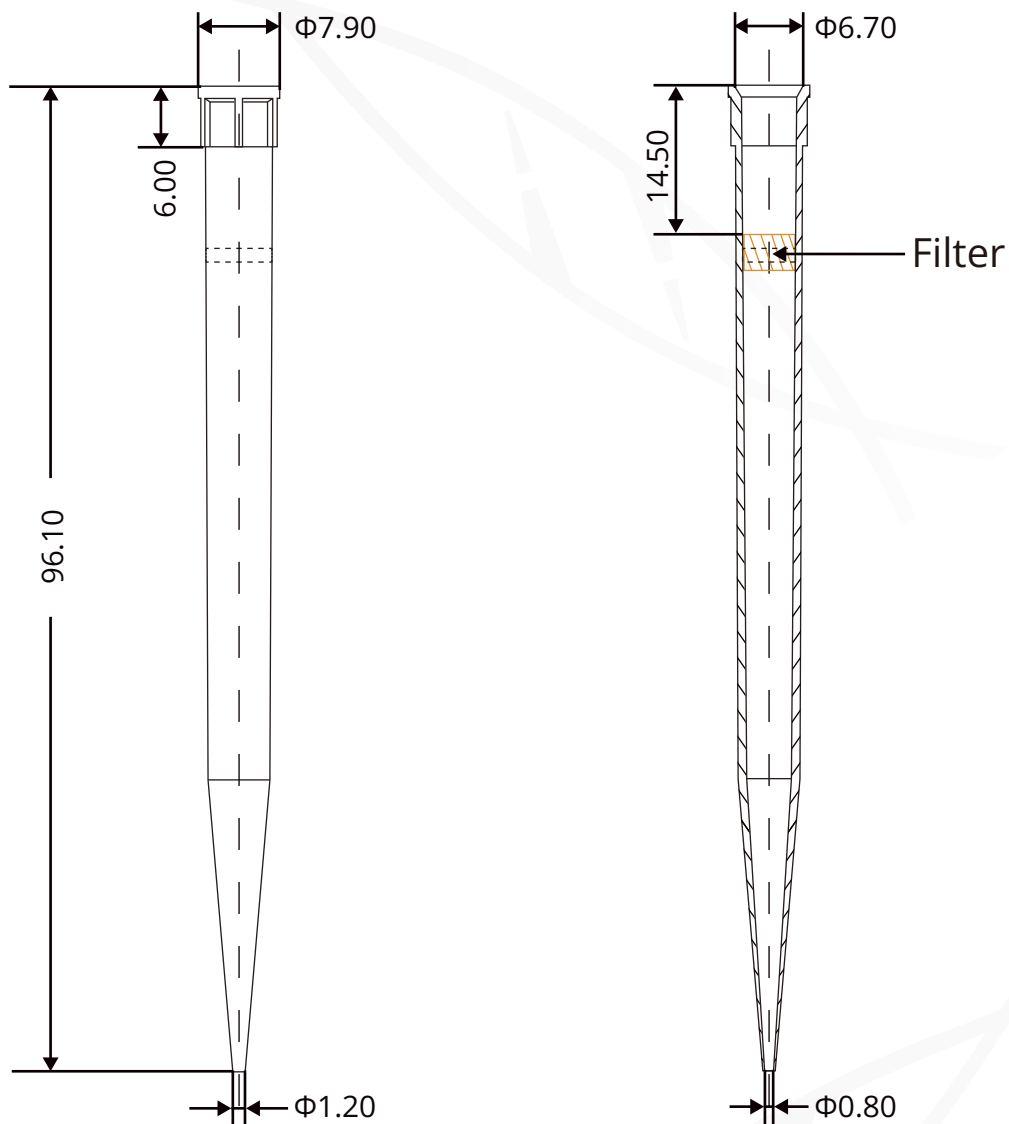
# DATA SHEET

Robotic tips for *TECAN*

ISO ISO9001

ISO ISO13485

## Technical Drawing - 1000 $\mu$ L



(Unit: mm)

### SHAOXING GENFOLLOWER BIOTECH CO.,LTD.

**Add:** Eastern industrial park, Baiguan street, Shangyu district,  
Shaoxing city, Zhejiang province, China

**Email:** GenFollower@Genfollower.com

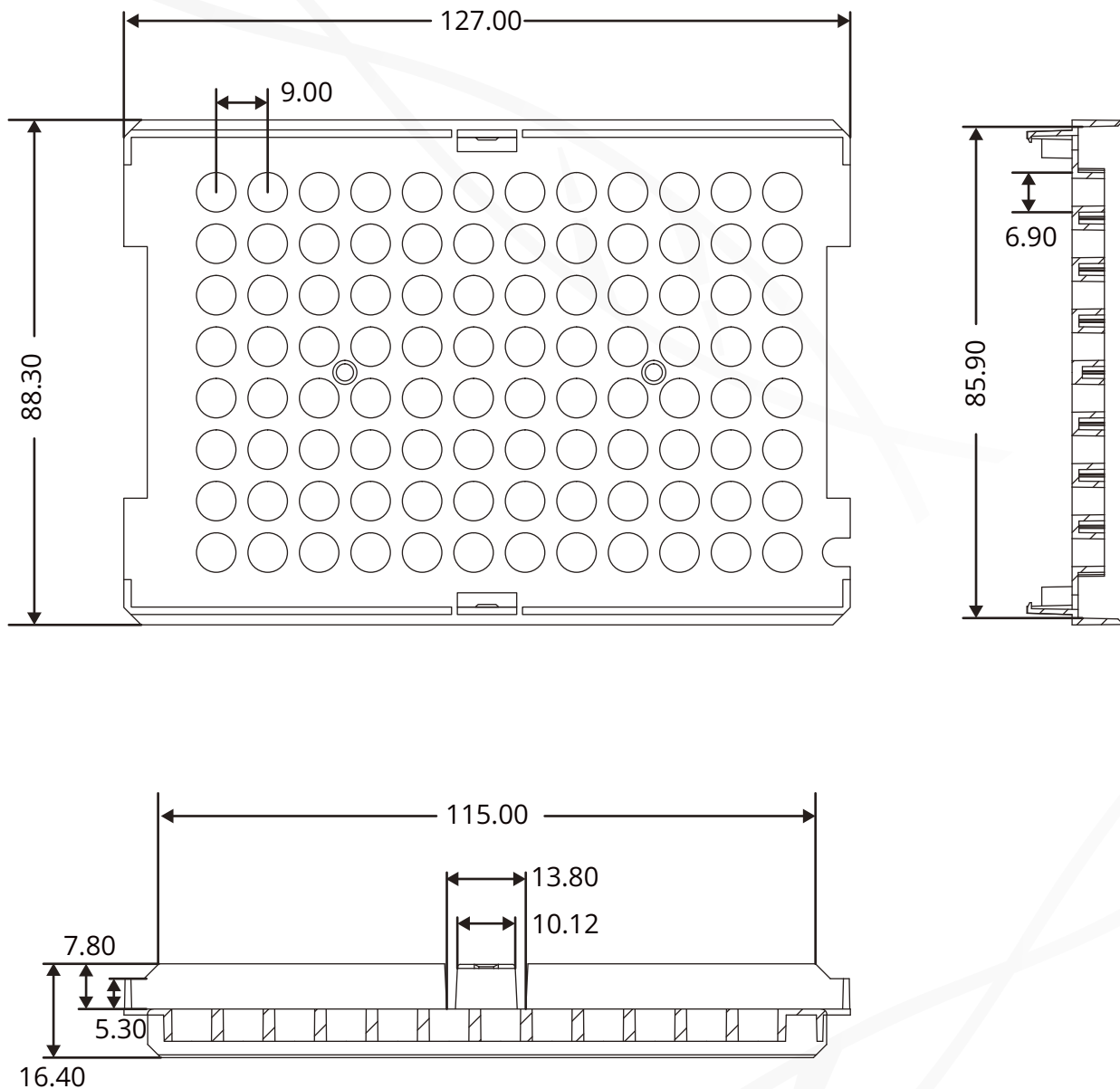
**Web:** www.GenFollower.com

**Fax:** +86-575-82032762

**Tel:** +86-575-82936953

 GenFollower<sup>®</sup>

## Technical Drawing - Universal wafer



(Unit: mm)

### SHAOXING GENFOLLOWER BIOTECH CO.,LTD.

**Add:** Eastern industrial park, Baiguan street, Shangyu district, Shaoxing city, Zhejiang province, China

**Email:** GenFollower@Genfollower.com

**Web:** www.GenFollower.com

**Fax:** +86-575-82032762

**Tel:** +86-575-82936953