

DATA SHEET

LTS-Compatible pipette tips

ISO ISO9001

ISO ISO13485

Features

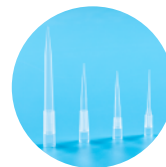


Designed to integrate with Rainin LTS™ pipettes, ensuring optimal compatibility.



Made from virgin polypropylene, these tips provide outstanding clarity, making it effortless to observe during pipetting tasks.

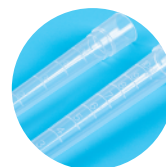
Available in a range of volumes, catering to diverse pipetting requirements.



Maintaining a state of sterility, free of DNase, RNase, human DNA and endotoxins.



Perfect your liquid handling with meticulous pipetting using clear graduations.



Raw Material

The tips are crafted from virgin polypropylene, while the integrated filters are constructed using polyethylene.

Application

These tips are exclusive crafted for Rainin LTS™ pipettes, which find widespread use in laboratory pipetting tasks. They serve a vital role across diverse scientific and research domains, encompassing molecular biology, cell culture, and other meticulous liquid handling necessities within the laboratory environment.

We Open To New Ideas!



Rainin and LTS™ are trademarks of METTLER TOLEDO and Company or its affiliates.

SHAOXING GENFOLLOWER BIOTECH CO.,LTD.

Add: Eastern industrial park, Baiguan street, Shangyu district, Shaoxing city, Zhejiang province, China

Email: GenFollower@Genfollower.com

Web: www.GenFollower.com

Fax: +86-575-82032762

Tel: +86-575-82936953

The GenFollower logo features a stylized DNA double helix in red and blue above the company name "GenFollower" in a bold, sans-serif font. A registered trademark symbol (®) is located to the upper right of the name.



Product Range-Pipette Tip

Volume	Description	Packaging
20uL	20uL LTS-Compatible pipette tip, sterile, DNase and RNase free	Racked & Bagged
200uL	200uL LTS-Compatible pipette tip, sterile, DNase and RNase free	Racked & Bagged
200uL, extended length	200uL LTS-Compatible extended pipette tip, 102 mm length, sterile, DNase and RNase free	Racked
300uL	300uL LTS-Compatible pipette tip, sterile, DNase and RNase free	Racked & Bagged
1000uL	1000uL LTS-Compatible pipette tip, sterile, DNase and RNase free	Racked & Bagged
1200uL	1200uL LTS-Compatible pipette tip, sterile, DNase and RNase free	Racked & Bagged
5mL	5mL LTS-Compatible pipette tip, sterile, DNase and RNase free	Racked & Bagged
10mL	10mL LTS-Compatible pipette tip, sterile, DNase and RNase free	Racked & Bagged



Product Range-Filter Tip

Volume	Description	Packaging
20uL	20uL LTS-Compatible filter pipette tip, sterile, DNase and RNase free	Racked & Bagged
200uL	200uL LTS-Compatible filter pipette tip, sterile, DNase and RNase free	Racked & Bagged
200uL, extended length	200uL LTS-Compatible extended filter pipette tip, 102 mm length, sterile, DNase and RNase free	Racked
300uL	300uL LTS-Compatible filter pipette tip, sterile, DNase and RNase free	Racked & Bagged
1000uL	1000uL LTS-Compatible filter pipette tip, sterile, DNase and RNase free	Racked & Bagged
1200uL	1200uL LTS-Compatible filter pipette tip, sterile, DNase and RNase free	Racked & Bagged
5mL	5mL LTS-Compatible filter pipette tip, sterile, DNase and RNase free	Racked & Bagged
10mL	10mL LTS-Compatible filter pipette tip, sterile, DNase and RNase free	Racked & Bagged

(Unit: mm)

SHAOXING GENFOLLOWER BIOTECH CO.,LTD.

Add: Eastern industrial park, Baiguan street, Shangyu district,
Shaoxing city, Zhejiang province, China

Email: GenFollower@Genfollower.com

Web: www.GenFollower.com

Fax: +86-575-82032762

Tel: +86-575-82936953

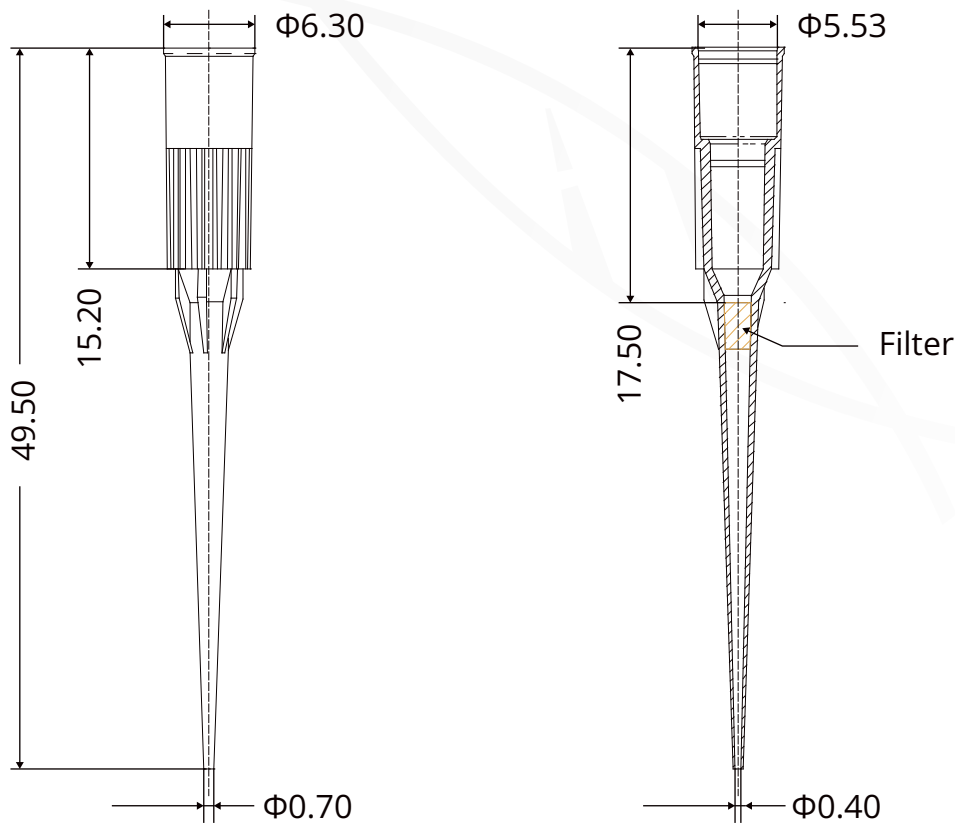
DATA SHEET

LTS-Compatible pipette tips

ISO ISO9001

ISO ISO13485

Technical Drawing - 20 μ L



(Unit: mm)

SHAOXING GENFOLLOWER BIOTECH CO.,LTD.

Add: Eastern industrial park, Baiguan street, Shangyu district,
Shaoxing city, Zhejiang province, China

Email: GenFollower@Genfollower.com

Web: www.GenFollower.com

Fax: +86-575-82032762

Tel: +86-575-82936953

 GenFollower[®]

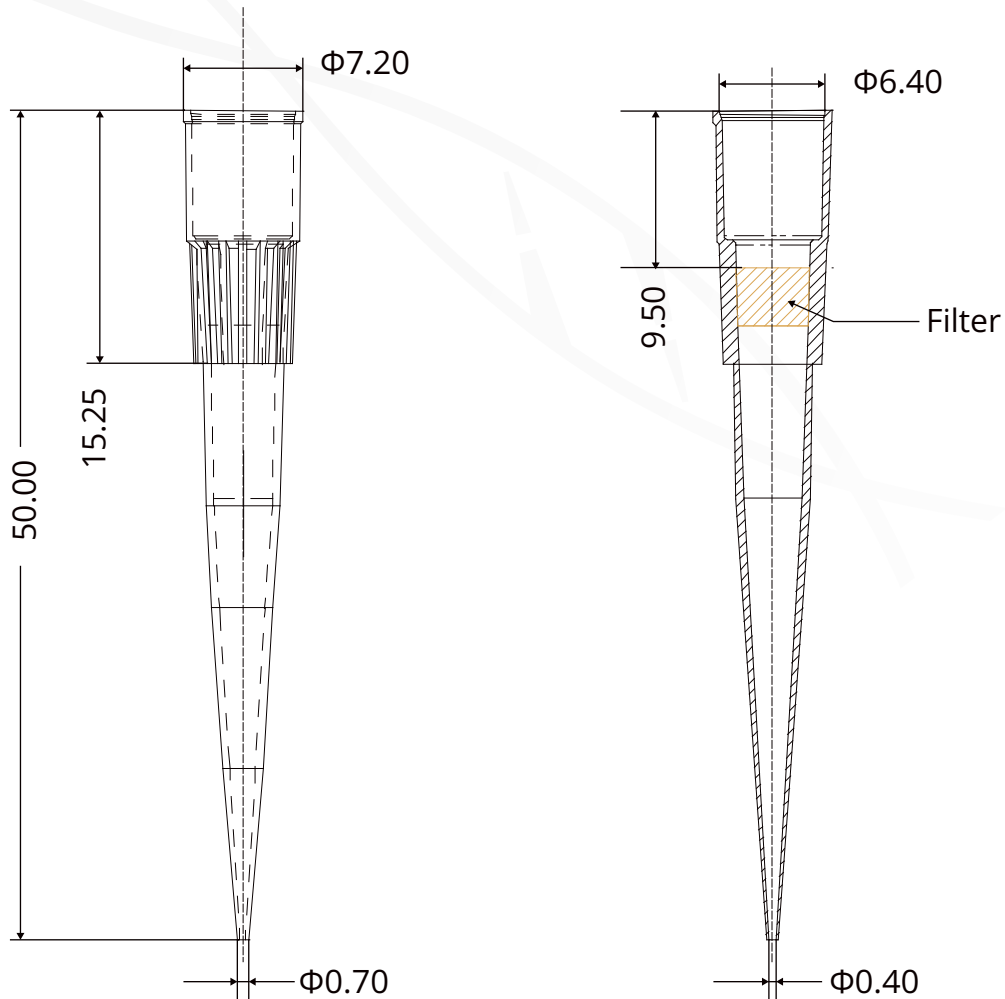
DATA SHEET

LTS-Compatible pipette tips

ISO 9001

ISO 13485

Technical Drawing - 200 μ L



(Unit: mm)

SHAOXING GENFOLLOWER BIOTECH CO.,LTD.

Add: Eastern industrial park, Baiguan street, Shangyu district,
Shaoxing city, Zhejiang province, China

Email: GenFollower@Genfollower.com

Web: www.GenFollower.com

Fax: +86-575-82032762

Tel: +86-575-82936953

 GenFollower[®]

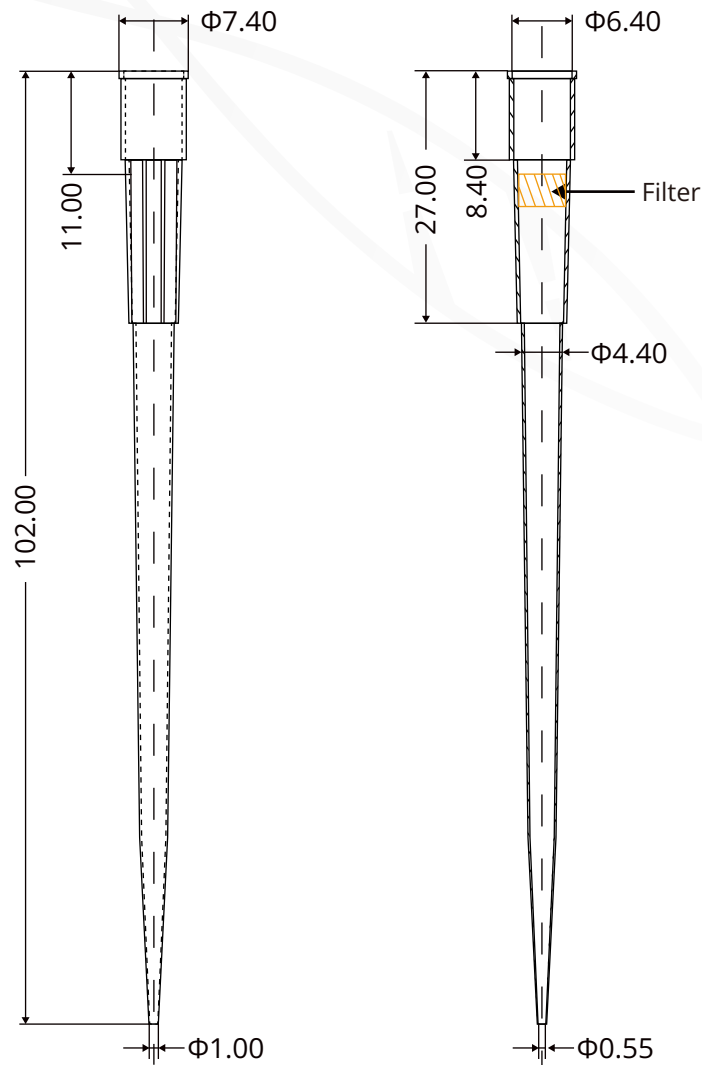
DATA SHEET

LTS-Compatible pipette tips

ISO 9001

ISO 13485

Technical Drawing - 200 μ L, extended length



(Unit: mm)

SHAOXING GENFOLLOWER BIOTECH CO.,LTD.

Add: Eastern industrial park, Baiguan street, Shangyu district,
Shaoxing city, Zhejiang province, China

Email: GenFollower@Genfollower.com

Web: www.GenFollower.com

Fax: +86-575-82032762

Tel: +86-575-82936953

**GenFollower**[®]

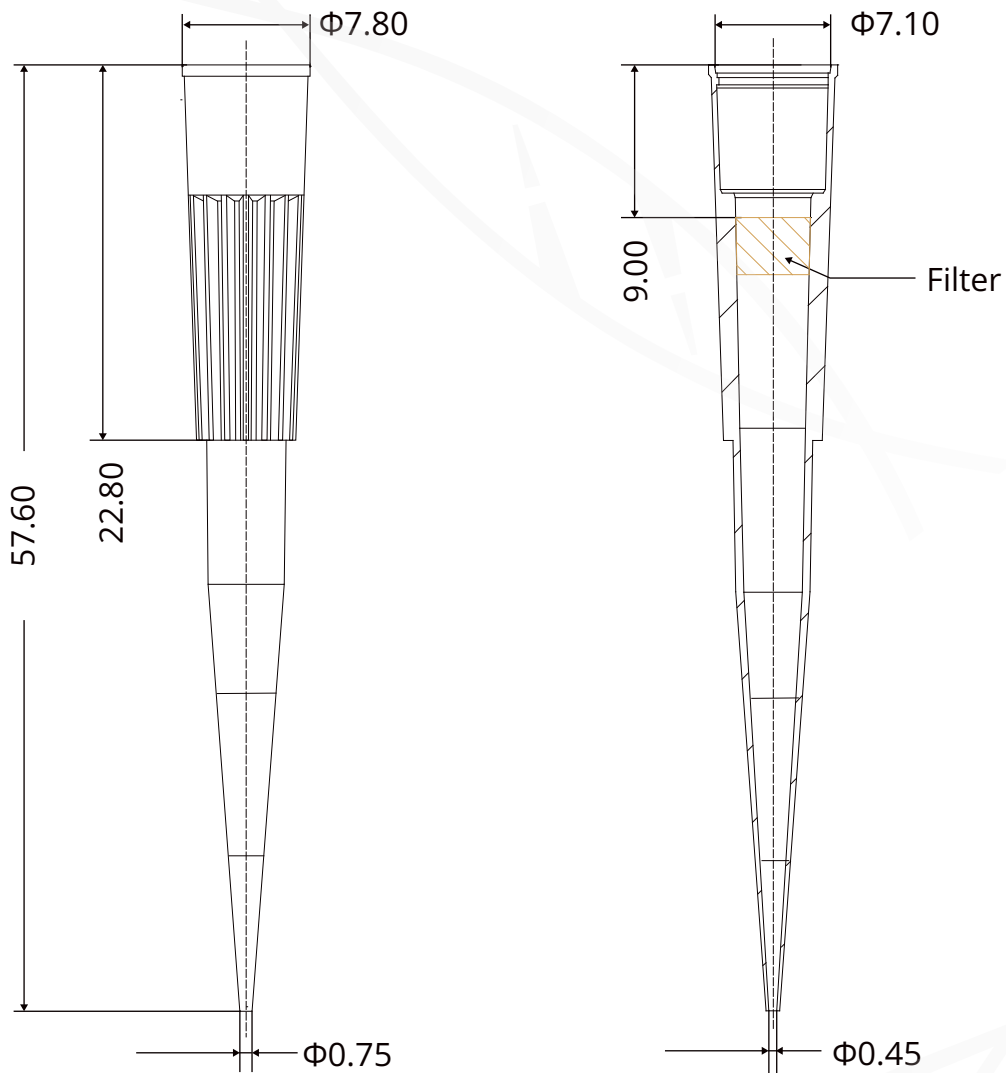
DATA SHEET

LTS-Compatible pipette tips

ISO ISO9001

ISO ISO13485

Technical Drawing - 300 μ L



(Unit: mm)

SHAOXING GENFOLLOWER BIOTECH CO.,LTD.

Add: Eastern industrial park, Baiguan street, Shangyu district, Shaoxing city, Zhejiang province, China

Email: GenFollower@Genfollower.com

Web: www.GenFollower.com

Fax: +86-575-82032762

Tel: +86-575-82936953


GenFollower[®]

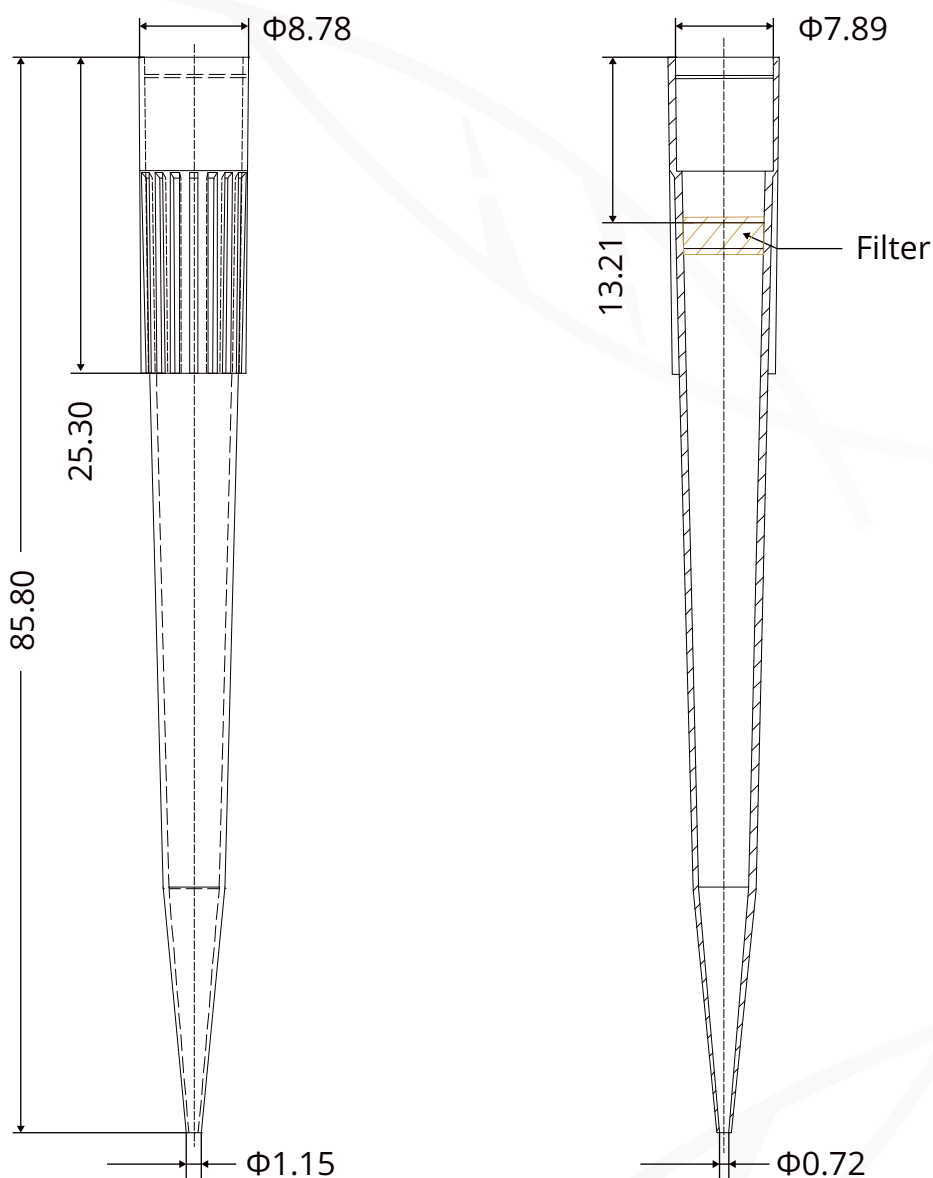
DATA SHEET

LTS-Compatible pipette tips

ISO 9001

ISO 13485

Technical Drawing - 1000 μ L



(Unit: mm)

SHAOXING GENFOLLOWER BIOTECH CO.,LTD.

Add: Eastern industrial park, Baiguan street, Shangyu district,
Shaoxing city, Zhejiang province, China

Email: GenFollower@Genfollower.com

Web: www.GenFollower.com

Fax: +86-575-82032762

Tel: +86-575-82936953


GenFollower[®]

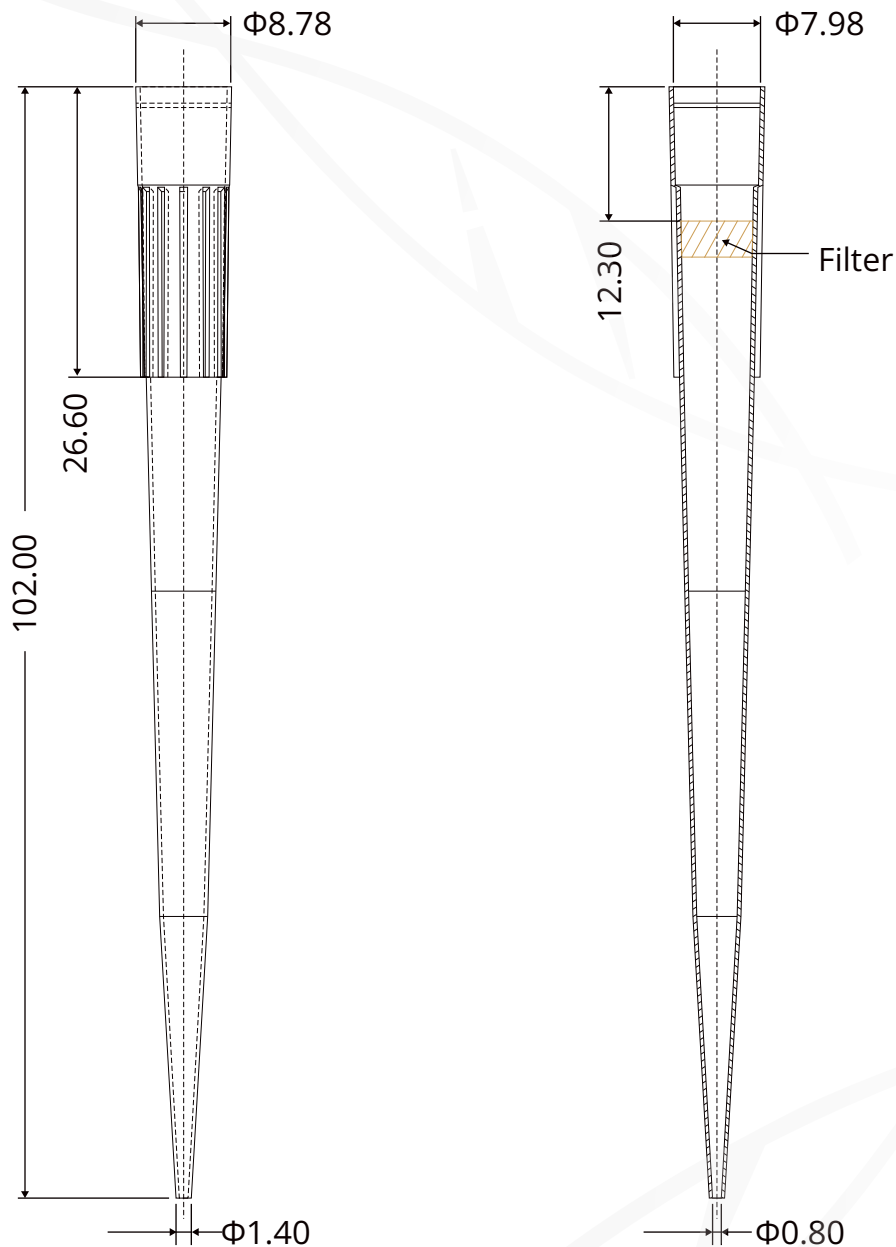
DATA SHEET

LTS-Compatible pipette tips

ISO 9001

ISO 13485

Technical Drawing - 1200 μ L



(Unit: mm)

SHAOXING GENFOLLOWER BIOTECH CO.,LTD.

Add: Eastern industrial park, Baiguan street, Shangyu district,
Shaoxing city, Zhejiang province, China

Email: GenFollower@Genfollower.com

Web: www.GenFollower.com

Fax: +86-575-82032762

Tel: +86-575-82936953


GenFollower[®]

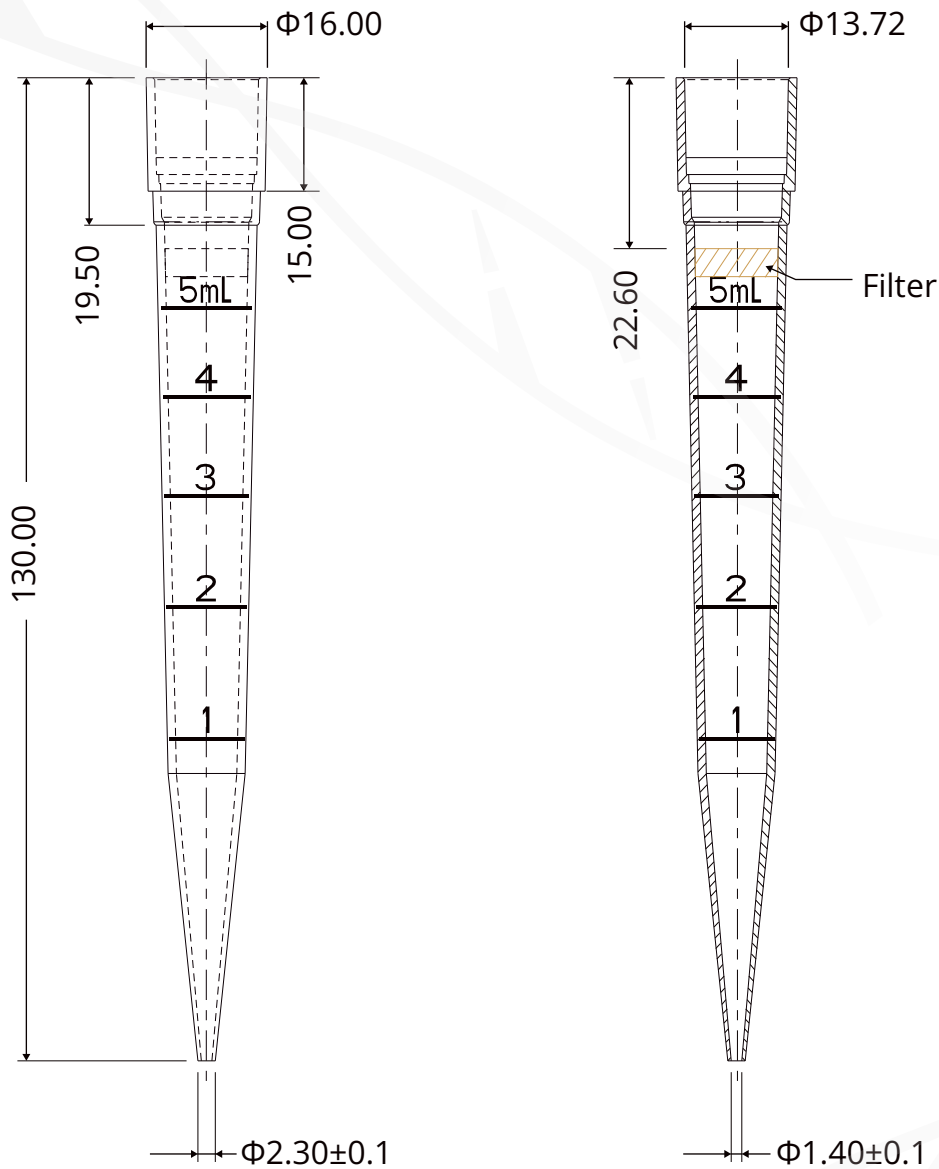
DATA SHEET

LTS-Compatible pipette tips

ISO 9001

ISO 13485

Technical Drawing -5mL



(Unit: mm)

SHAOXING GENFOLLOWER BIOTECH CO.,LTD.

Add: Eastern industrial park, Baiguan street, Shangyu district,
Shaoxing city, Zhejiang province, China

Email: GenFollower@Genfollower.com

Web: www.GenFollower.com

Fax: +86-575-82032762

Tel: +86-575-82936953

GenFollower®

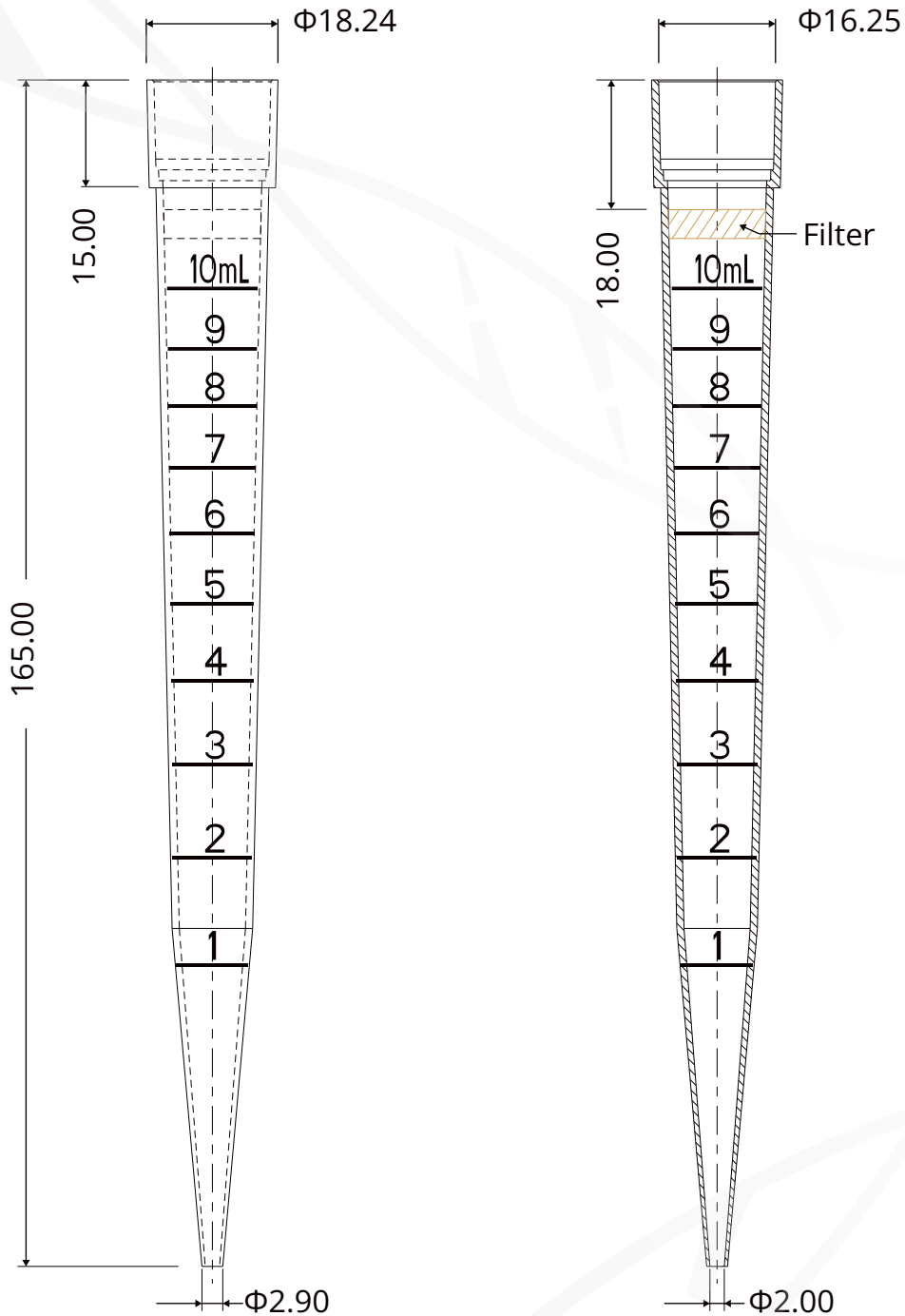
DATA SHEET

LTS-Compatible pipette tips

ISO 9001

ISO 13485

Technical Drawing - 10mL



(Unit: mm)

SHAOXING GENFOLLOWER BIOTECH CO.,LTD.

Add: Eastern industrial park, Baiguan street, Shangyu district, Shaoxing city, Zhejiang province, China

Email: GenFollower@Genfollower.com

Web: www.GenFollower.com

Fax: +86-575-82032762

Tel: +86-575-82936953


GenFollower[®]