

# DATA SHEET

## Reagent Reservoirs

ISO 9001

ISO 13485

### Features

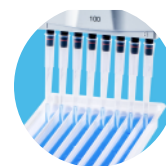


PET bags, individually packaged.



Available in a variety of models to meet specific needs.

Compatible with multi-channel pipettes or workstations.



### Raw Material

These products are made from PP or PS materials.

### Application

Reagent reservoirs serve as containers designed for the convenient accessibility of reagents using pipettes or other transfer tools. These reservoirs play a pivotal role in achieving precise liquid dispensing. They find extensive utility in various scenarios, including tasks involving liquid distribution, high-throughput assays, and the execution of serial dilutions.

**We Open To New Ideas!**



## SHAOXING GENFOLLOWER BIOTECH CO.,LTD.

**Add:** Eastern industrial park, Baiguan street, Shangyu district, Shaoxing city, Zhejiang province, China

**Email:** GenFollower@Genfollower.com

**Web:** www.GenFollower.com

**Fax:** +86-575-82032762

**Tel:** +86-575-82936953

**GenFollower**<sup>®</sup>

# DATA SHEET

## Reagent Reservoirs

ISO ISO9001

ISO ISO13485

### Product Range

CAT	Description	Packaging
RC00025	25mL reagent reservoirs, white, PS material	10 PCS/Bag, 10 Bags/Case
RC08005	7mL 8-channel reagent reservoirs, white, PS material	1 PCS/Bag, 100 Bags/Case
RC12005	5mL 12-channel reagent reservoirs, white, PS material	1 PCS/Bag, 100 Bags/Case
RC90001	100mL reagent reservoirs for Tecan stations, natural, PP material	1 PCS/Bag, 108 Bags/Case
RC90002	60mL reagent reservoirs for Hamilton stations, natural, PP material	1 PCS/Bag, 28 Bags/Case
RC90003	60mL reagent reservoirs for Hamilton stations, black, PP material	1 PCS/Bag, 28 Bags/Case
RC90004	60mL reagent reservoirs for Hamilton stations, natural, low retention, PP material	1 PCS/Bag, 28 Bags/Case
RC90005	60mL reagent reservoirs for Hamilton stations, black, low retention, PP material	1 PCS/Bag, 28 Bags/Case

### SHAOXING GENFOLLOWER BIOTECH CO.,LTD.

**Add:** Eastern industrial park, Baiguan street, Shangyu district, Shaoxing city, Zhejiang province, China

**Email:** GenFollower@Genfollower.com

**Web:** www.GenFollower.com

**Fax:** +86-575-82032762

**Tel:** +86-575-82936953

 GenFollower®

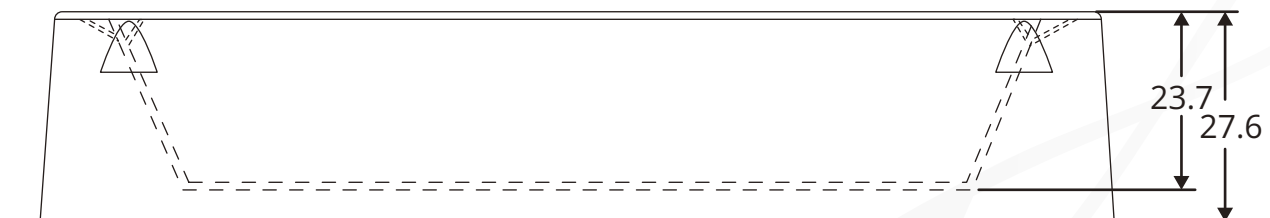
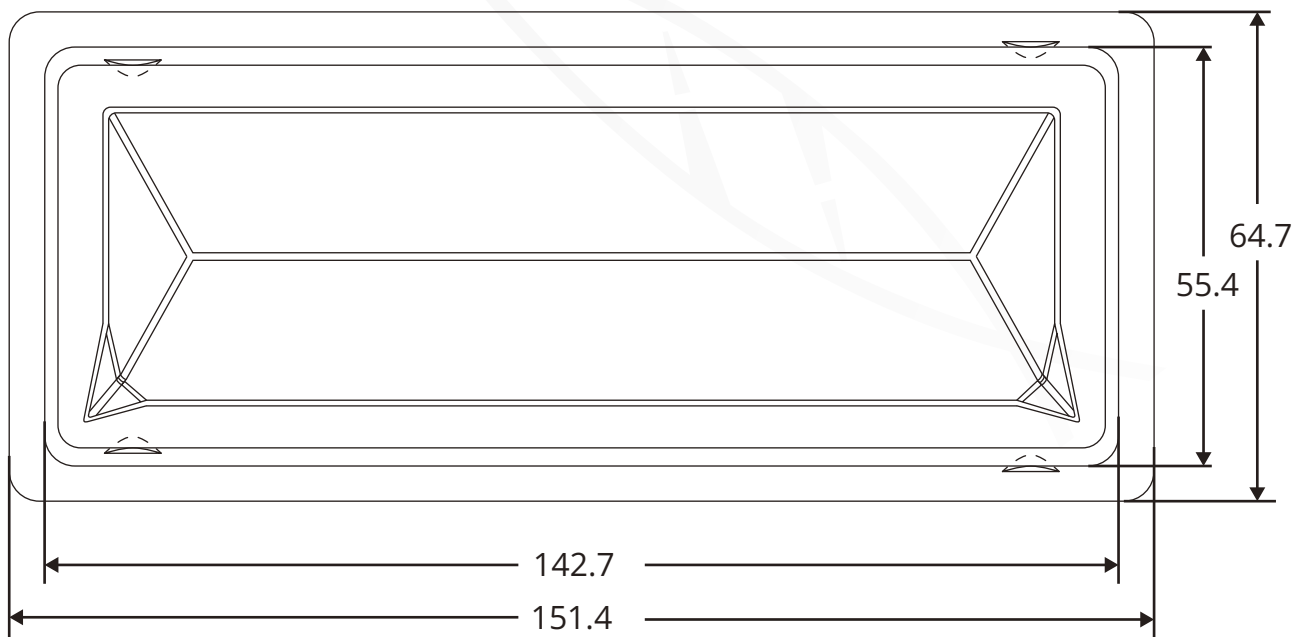
# DATA SHEET

Reagent Reservoirs

ISO 9001

ISO 13485

## Technical Drawing - RC00025



(Unit: mm)

### SHAOXING GENFOLLOWER BIOTECH CO.,LTD.

**Add:** Eastern industrial park, Baiguan street, Shangyu district,  
Shaoxing city, Zhejiang province, China

**Email:** GenFollower@Genfollower.com

**Web:** www.GenFollower.com

**Fax:** +86-575-82032762

**Tel:** +86-575-82936953



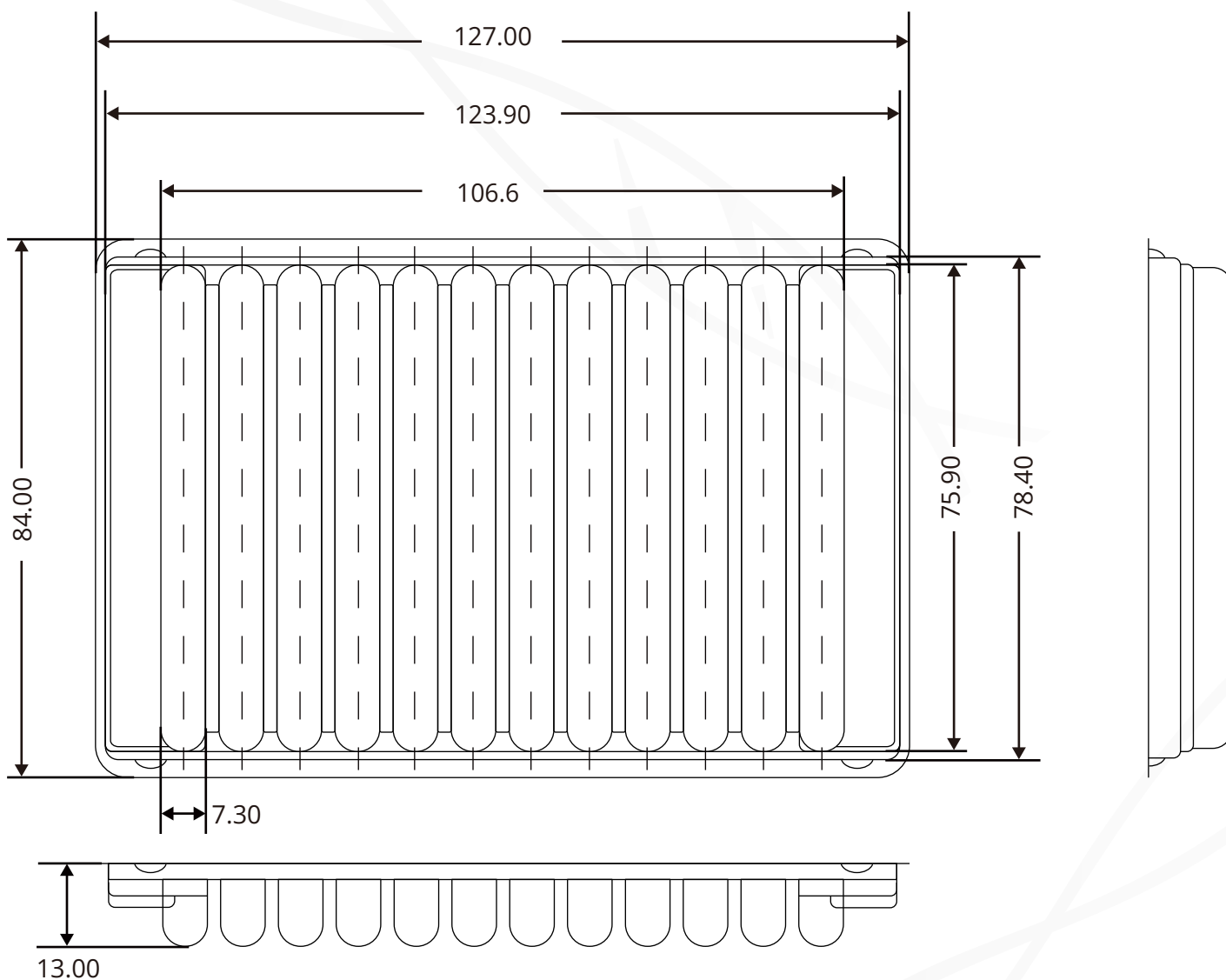
# DATA SHEET

Reagent Reservoirs

ISO ISO9001

ISO ISO13485

## Technical Drawing - RC80005



(Unit: mm)

### SHAOXING GENFOLLOWER BIOTECH CO.,LTD.

**Add:** Eastern industrial park, Baiguan street, Shangyu district,  
Shaoxing city, Zhejiang province, China

**Email:** GenFollower@Genfollower.com

**Web:** www.GenFollower.com

**Fax:** +86-575-82032762

**Tel:** +86-575-82936953



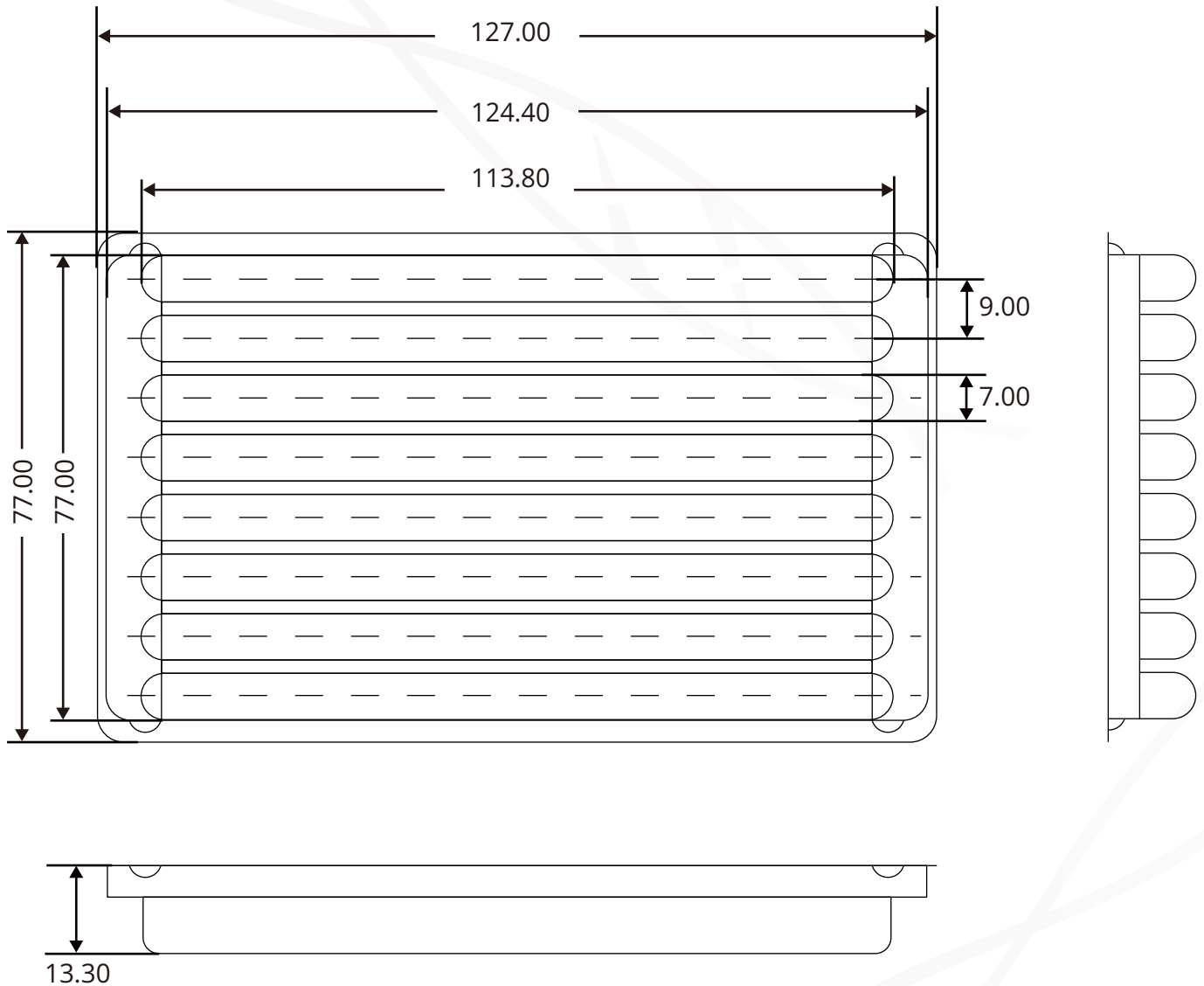
# DATA SHEET

Reagent Reservoirs

ISO 9001

ISO 13485

## Technical Drawing - RC12005



(Unit: mm)

### SHAOXING GENFOLLOWER BIOTECH CO.,LTD.

**Add:** Eastern industrial park, Baiguan street, Shangyu district, Shaoxing city, Zhejiang province, China

**Email:** GenFollower@Genfollower.com

**Web:** www.GenFollower.com

**Fax:** +86-575-82032762

**Tel:** +86-575-82936953



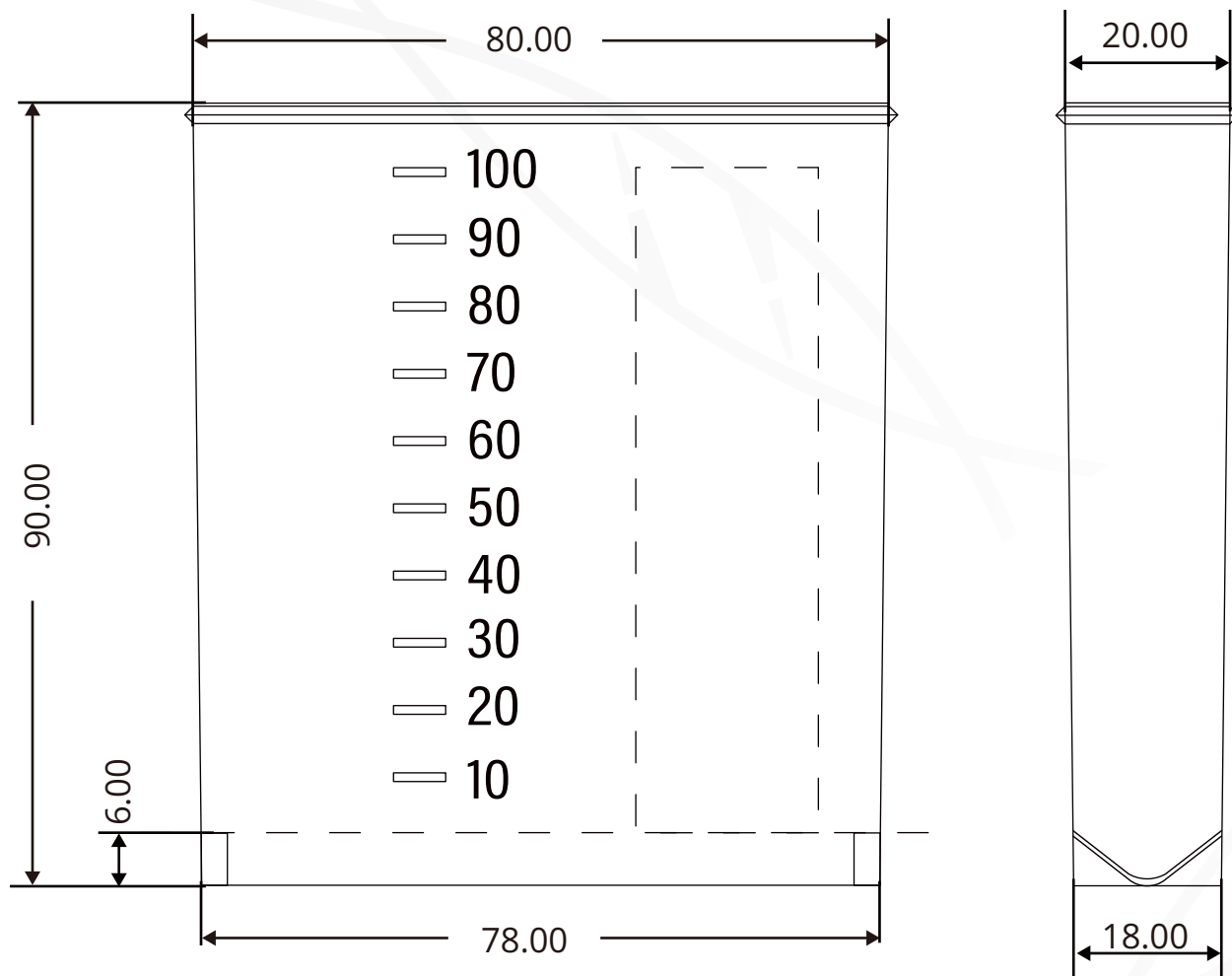
# DATA SHEET

Reagent Reservoirs

ISO 9001

ISO 13485

## Technical Drawing - RC90001



(Unit: mm)

### SHAOXING GENFOLLOWER BIOTECH CO.,LTD.

**Add:** Eastern industrial park, Baiguan street, Shangyu district, Shaoxing city, Zhejiang province, China

**Email:** GenFollower@Genfollower.com

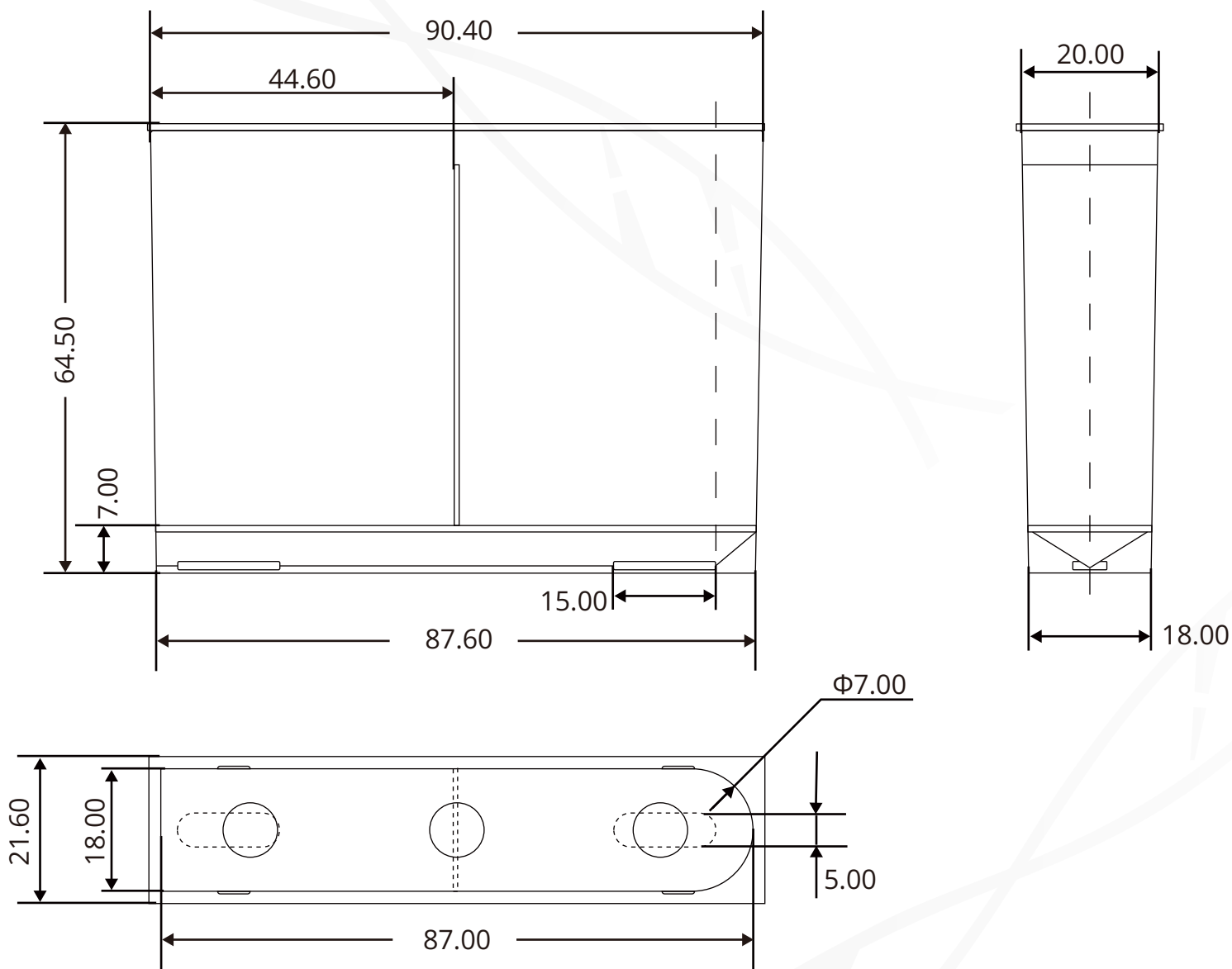
**Web:** www.GenFollower.com

**Fax:** +86-575-82032762

**Tel:** +86-575-82936953



## Technical Drawing - RC90002+RC90004



(Unit: mm)

### SHAOXING GENFOLLOWER BIOTECH CO.,LTD.

**Add:** Eastern industrial park, Baiguan street, Shangyu district, Shaoxing city, Zhejiang province, China

**Email:** GenFollower@Genfollower.com

**Web:** www.GenFollower.com

**Fax:** +86-575-82032762

**Tel:** +86-575-82936953

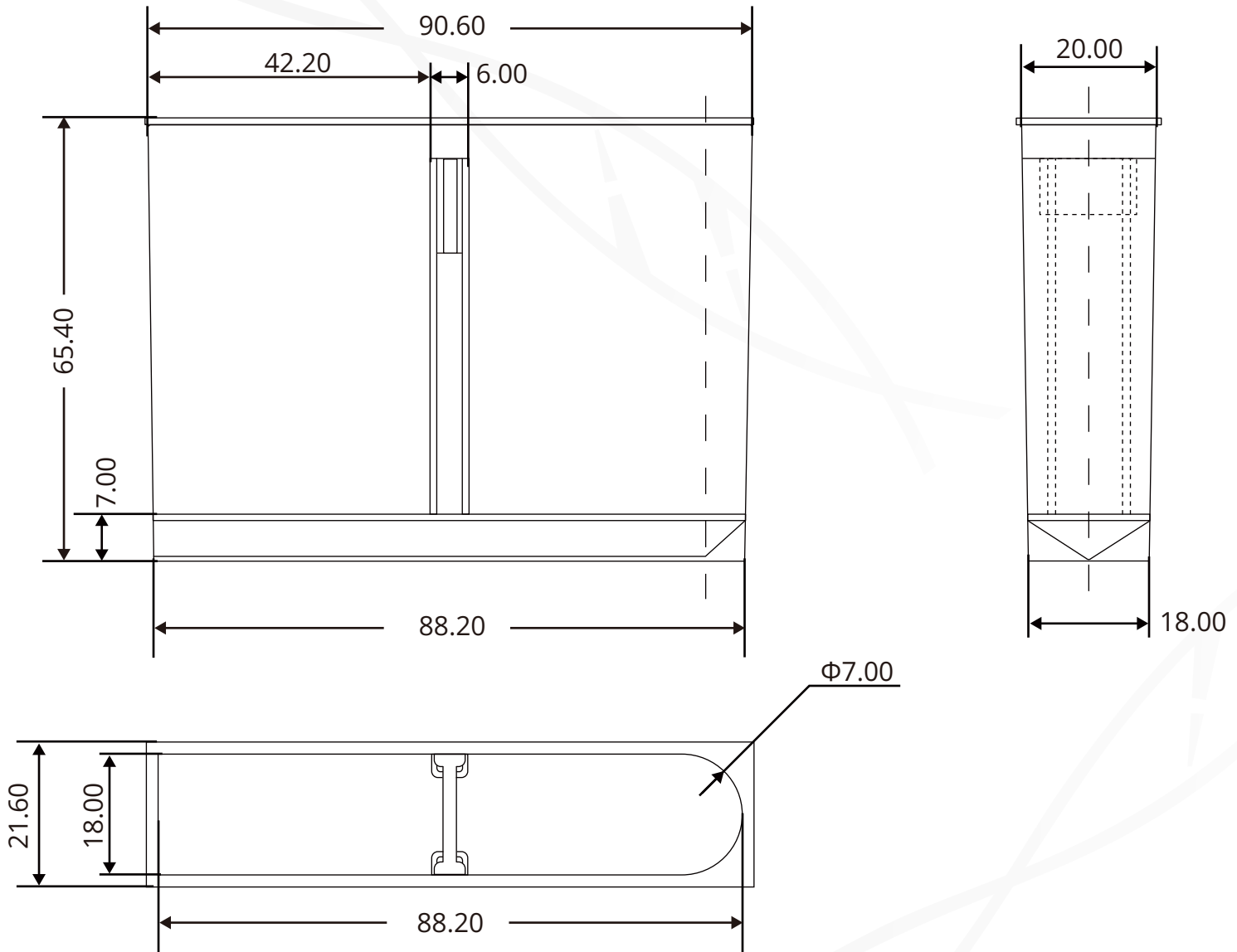
# DATA SHEET

Reagent Reservoirs

ISO 9001

ISO 13485

## Technical Drawing - R9C0003+RC90005



(Unit: mm)

### SHAOXING GENFOLLOWER BIOTECH CO.,LTD.

**Add:** Eastern industrial park, Baiguan street, Shangyu district, Shaoxing city, Zhejiang province, China

**Email:** GenFollower@Genfollower.com

**Web:** www.GenFollower.com

**Fax:** +86-575-82032762

**Tel:** +86-575-82936953

 GenFollower®