

DATA SHEET

PCR Plates

ISO ISO9001

ISO ISO13485

Features



After over 30 tests, we have identified the best polypropylene material for PCR thermal cycling.

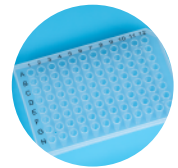


The uniform thin wall thickness ensures optimal heat transfer.

Various specifications available: non-skirted, semi-skirted, full-skirted to meet different needs.



The alphabetic grid ensures easy and precise identification.



Free from RNase, DNase, heavy metals, and human DNA contamination.



Raw Material

The plates are manufactured from medical-grade polypropylene.

Application

The PCR plate serves as a crucial tool for conducting polymerase chain reaction (PCR) experiments. It is particularly well-suited for high-throughput screening thermal cycler applications and boasts compatibility with most thermal cyclers. The plate streamlines the process, allowing for rapid fragment amplification without manual intervention. Its versatility extends to applications such as gene expression analysis, pathogen detection, DNA cloning, library preparation, and numerous other research endeavours.

We Open To New Ideas!



SHAOXING GENFOLLOWER BIOTECH CO.,LTD.

Add: Eastern industrial park, Baiguan street, Shangyu district, Shaoxing city, Zhejiang province, China

Email: GenFollower@Genfollower.com

Web: www.GenFollower.com

Fax: +86-575-82032762

Tel: +86-575-82936953

**GenFollower**[®]

DATA SHEET

PCR Plates

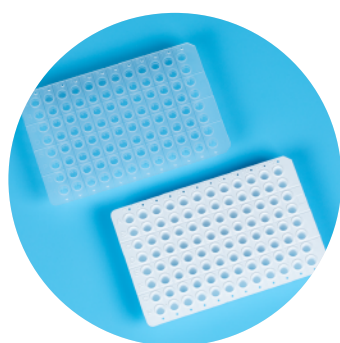
ISO ISO9001

ISO ISO13485

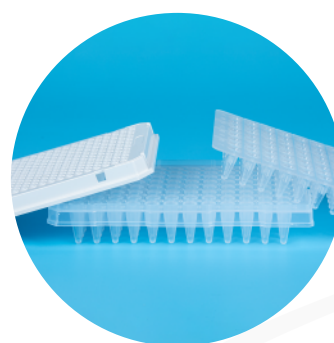
Product Range

CAT	Description	Packaging
A384FS-004N	40uL Full-Skirted G2 PCR plates, Nature, sterile, RNase and DNase free	15 PCS/box, 10 Boxes/Case
A384FS-004W	40uL Full-Skirted G2 PCR plates, White, sterile, RNase and DNase free	15 PCS/box, 10 Boxes/Case
B96NS-01N	0.1mL Non-Skirted G2 PCR plates, Nature, sterile, RNase and DNase free	15 PCS/box, 10 Boxes/Case
B96NS-01W	0.1mL Non-Skirted G2 PCR plates, White, sterile, RNase and DNase free	15 PCS/box, 10 Boxes/Case
B96NS-02N	0.2mL Non-Skirted G2 PCR plates, Nature, sterile, RNase and DNase free	15 PCS/box, 10 Boxes/Case
B96NS-02W	0.2mL Non-Skirted G2 PCR plates, White, sterile, RNase and DNase free	15 PCS/box, 10 Boxes/Case
B96HS-01N	0.1mL Semi-skirted G2 PCR plates, Nature, sterile, RNase and DNase free	15 PCS/box, 10 Boxes/Case
B96HS-01W	0.1mL Semi-skirted G2 PCR plates, White, sterile, RNase and DNase free	15 PCS/box, 10 Boxes/Case
B96HS-02N	0.2mL Semi-skirted G2 PCR plates, Nature, sterile, RNase and DNase free	15 PCS/box, 10 Boxes/Case
B96HS-02W	0.2mL Semi-skirted G2 PCR plates, White, sterile, RNase and DNase free	15 PCS/box, 10 Boxes/Case
A96WS-02N	0.2mL Semi-skirted G2 PCR plates, Nature, sterile, RNase and DNase free	15 PCS/box, 10 Boxes/Case
A96WS-02W	0.2mL Semi-skirted G2 PCR plates, White, sterile, RNase and DNase free	15 PCS/box, 10 Boxes/Case
A96WS-02PN	0.2mL Semi-skirted G2 PCR plates, Nature, sterile, RNase and DNase free	15 PCS/box, 10 Boxes/Case
T96HS-02N	0.2mL Semi-skirted G2 PCR plates, Nature, sterile, RNase and DNase free	15 PCS/box, 10 Boxes/Case

Type



Color: Nature/White



Specification:
Non-skirted/Semi-skirted/Full-skirted

SHAOXING GENFOLLOWER BIOTECH CO.,LTD.

Add: Eastern industrial park, Baiguan street, Shangyu district, Shaoxing city, Zhejiang province, China

Email: GenFollower@Genfollower.com

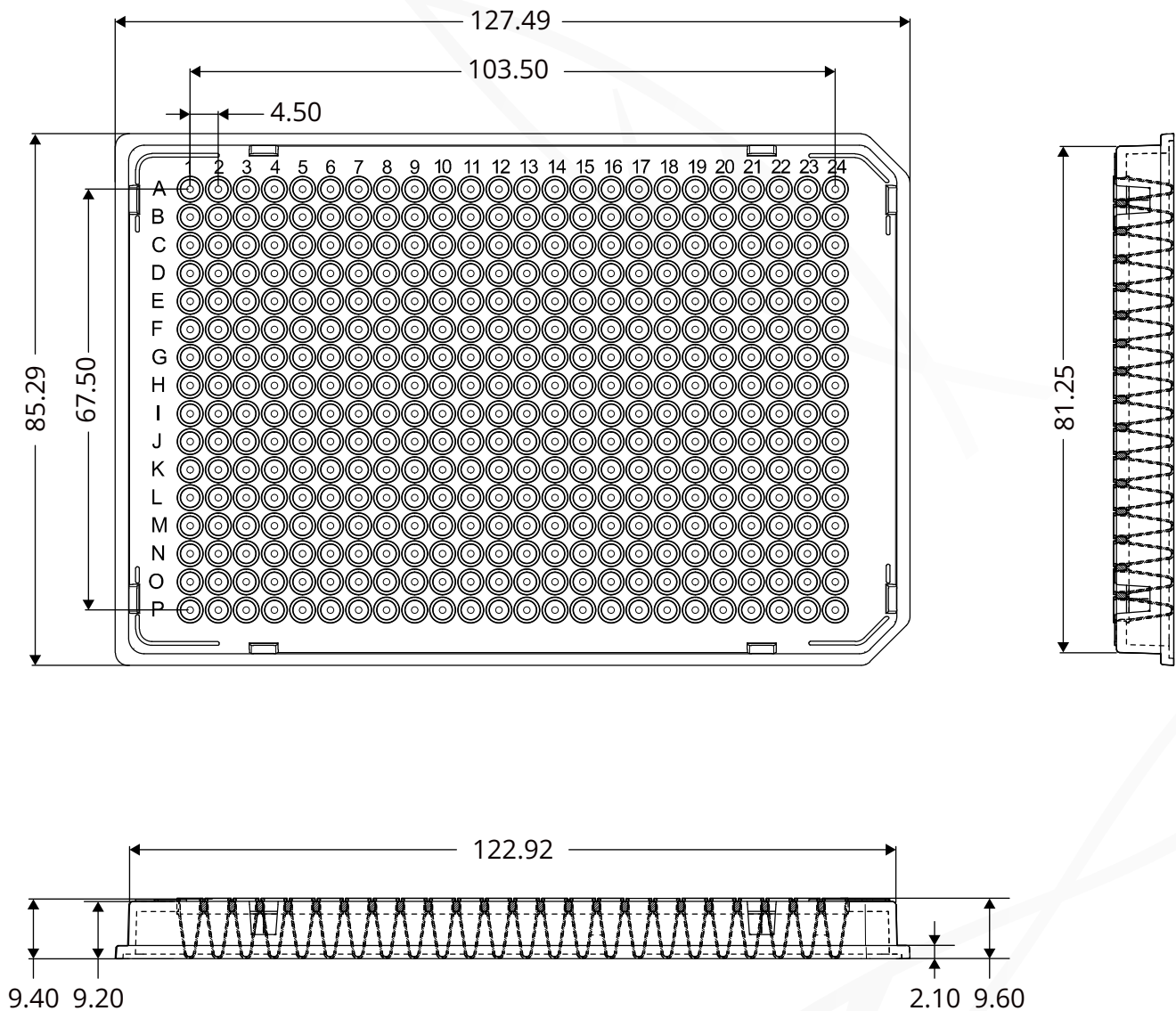
Web: www.GenFollower.com

Fax: +86-575-82032762

Tel: +86-575-82936953

 GenFollower®

 **Technical Drawing - A384FS-004N+A384FS-004W**



(Unit: mm)

SHAOXING GENFOLLOWER BIOTECH CO.,LTD.

Add: Eastern industrial park, Baiguan street, Shangyu district, Shaoxing city, Zhejiang province, China

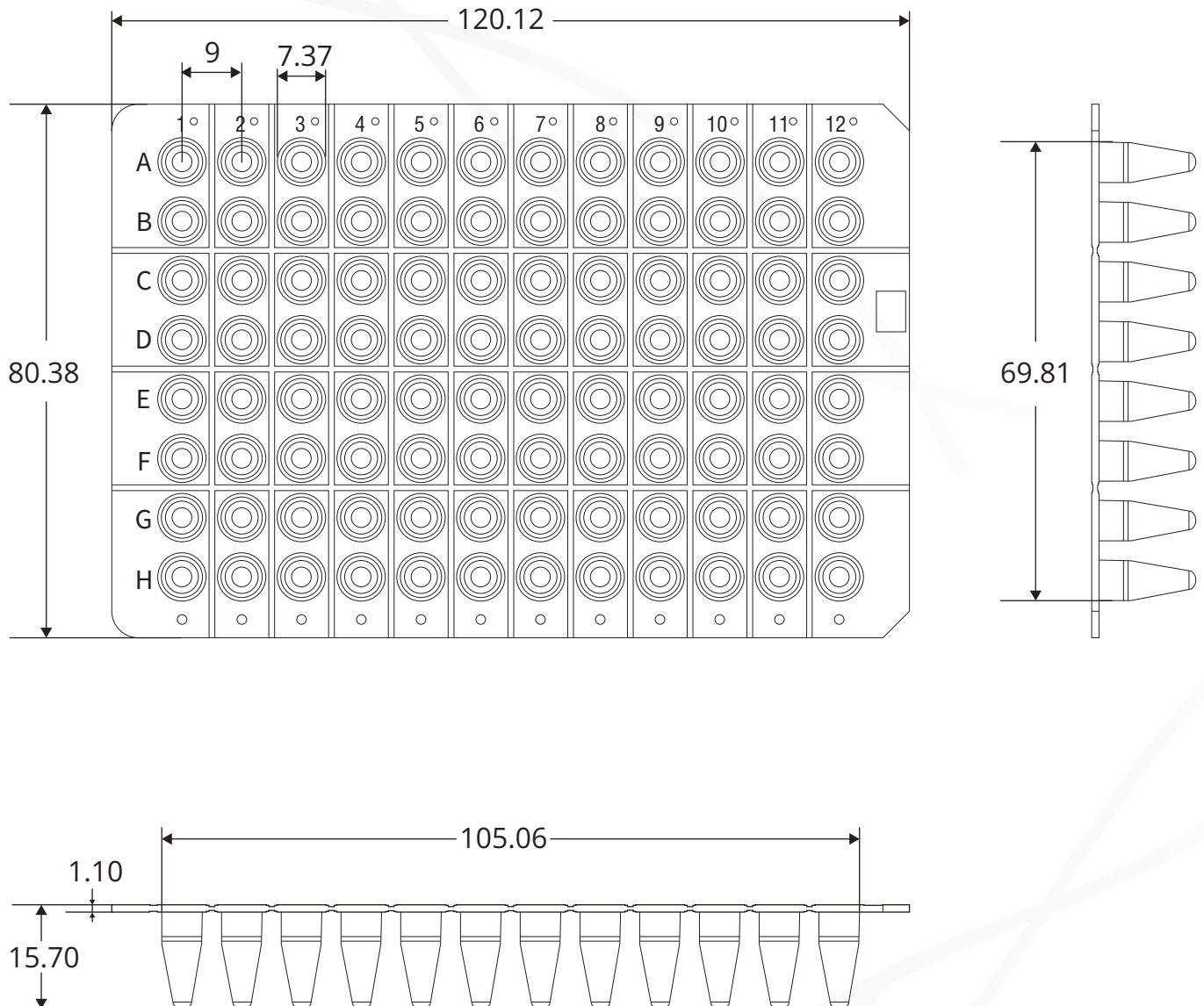
Email: GenFollower@Genfollower.com

Web: www.GenFollower.com

Fax: +86-575-82032762

Tel: +86-575-82936953

 **Technical Drawing - B96NS-01N+B96NS-01W**



(Unit: mm)

SHAOXING GENFOLLOWER BIOTECH CO.,LTD.

Add: Eastern industrial park, Baiguan street, Shangyu district, Shaoxing city, Zhejiang province, China

Email: GenFollower@Genfollower.com

Web: www.GenFollower.com

Fax: +86-575-82032762

Tel: +86-575-82936953

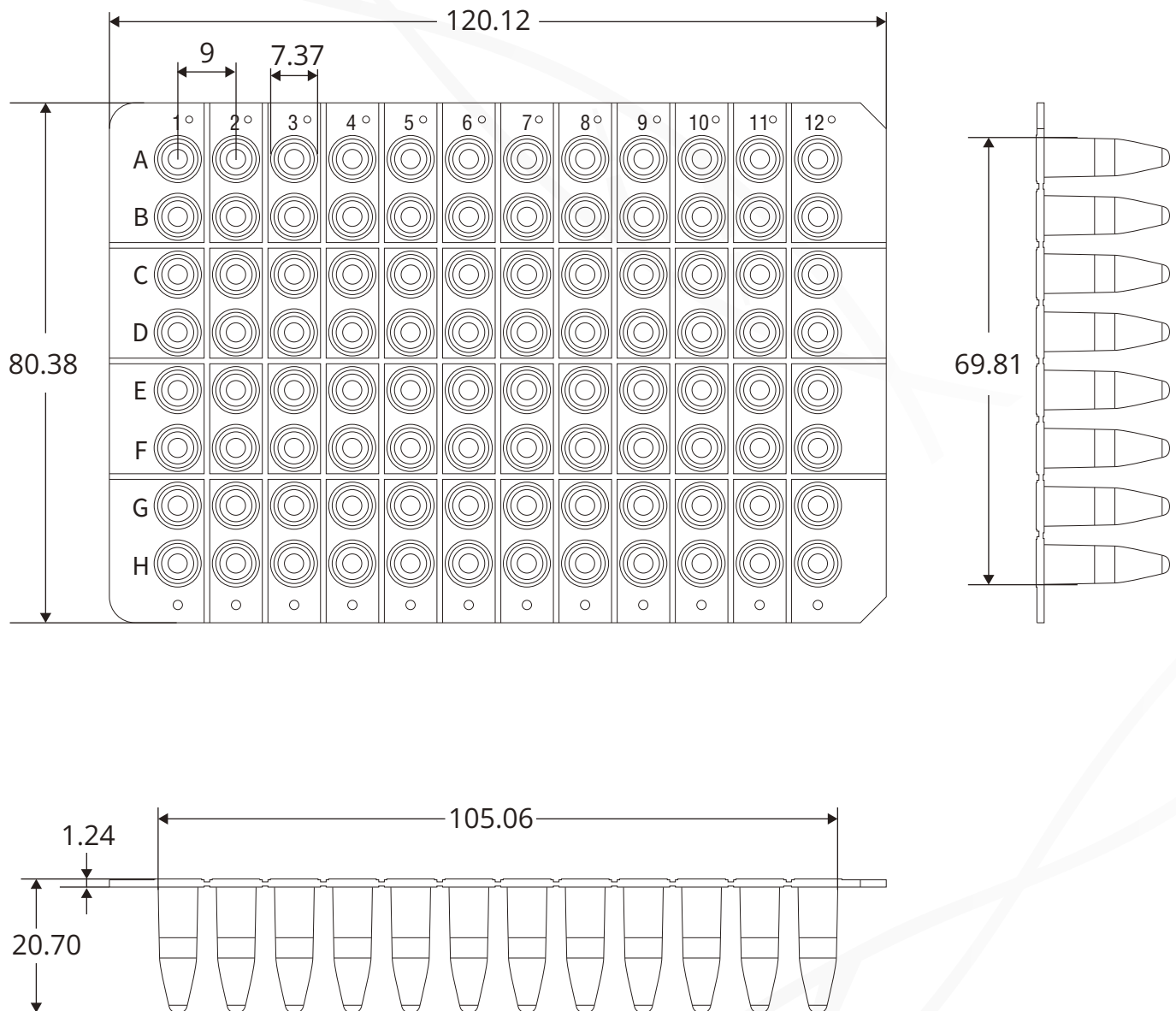
DATA SHEET

PCR Plates

ISO 9001

ISO 13485

Technical Drawing - B96NS-02N+B96NS-02W



(Unit: mm)

SHAOXING GENFOLLOWER BIOTECH CO.,LTD.

Add: Eastern industrial park, Baiguan street, Shangyu district, Shaoxing city, Zhejiang province, China

Email: GenFollower@Genfollower.com

Web: www.GenFollower.com

Fax: +86-575-82032762

Tel: +86-575-82936953



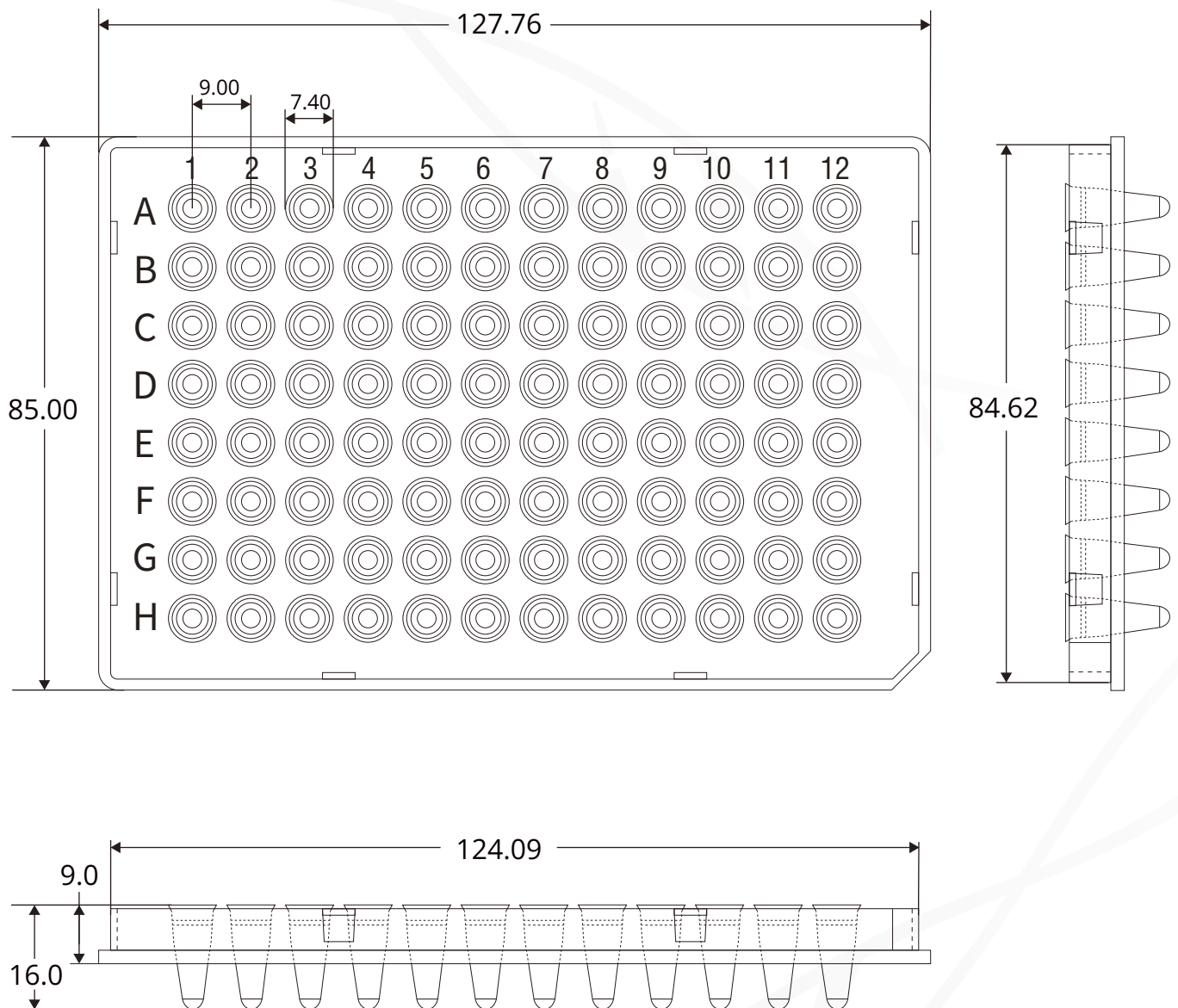
DATA SHEET

PCR Plates

ISO 9001

ISO 13485

Technical Drawing - B96HS-01N+B96HS-01W



(Unit: mm)

SHAOXING GENFOLLOWER BIOTECH CO.,LTD.

Add: Eastern industrial park, Baiguan street, Shangyu district, Shaoxing city, Zhejiang province, China

Email: GenFollower@Genfollower.com

Web: www.GenFollower.com

Fax: +86-575-82032762

Tel: +86-575-82936953

 GenFollower®

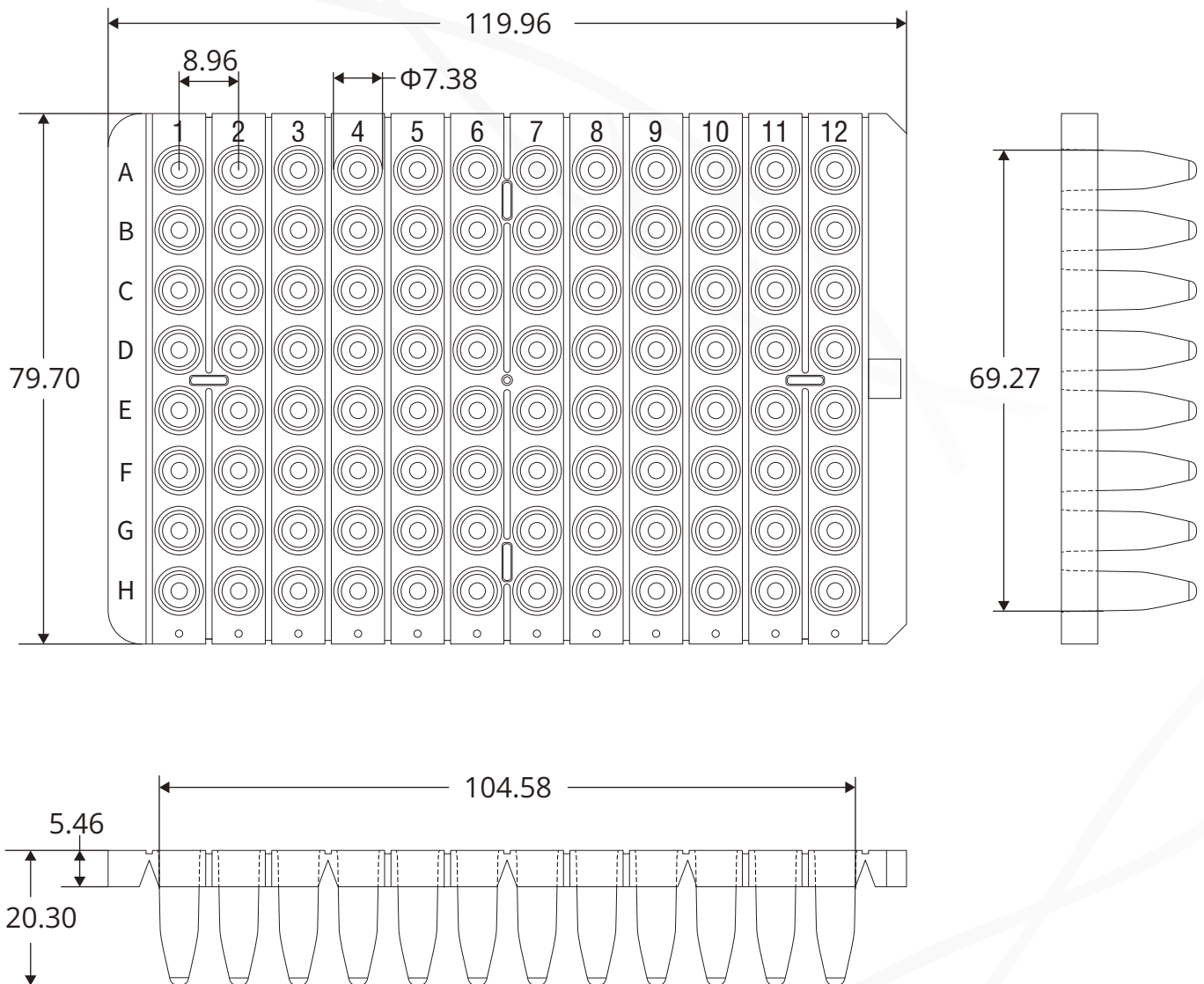
DATA SHEET

PCR Plates

ISO 9001

ISO 13485

Technical Drawing - B96HS-02N+B96HS-02W



(Unit: mm)

SHAOXING GENFOLLOWER BIOTECH CO.,LTD.

Add: Eastern industrial park, Baiguan street, Shangyu district, Shaoxing city, Zhejiang province, China

Email: GenFollower@Genfollower.com

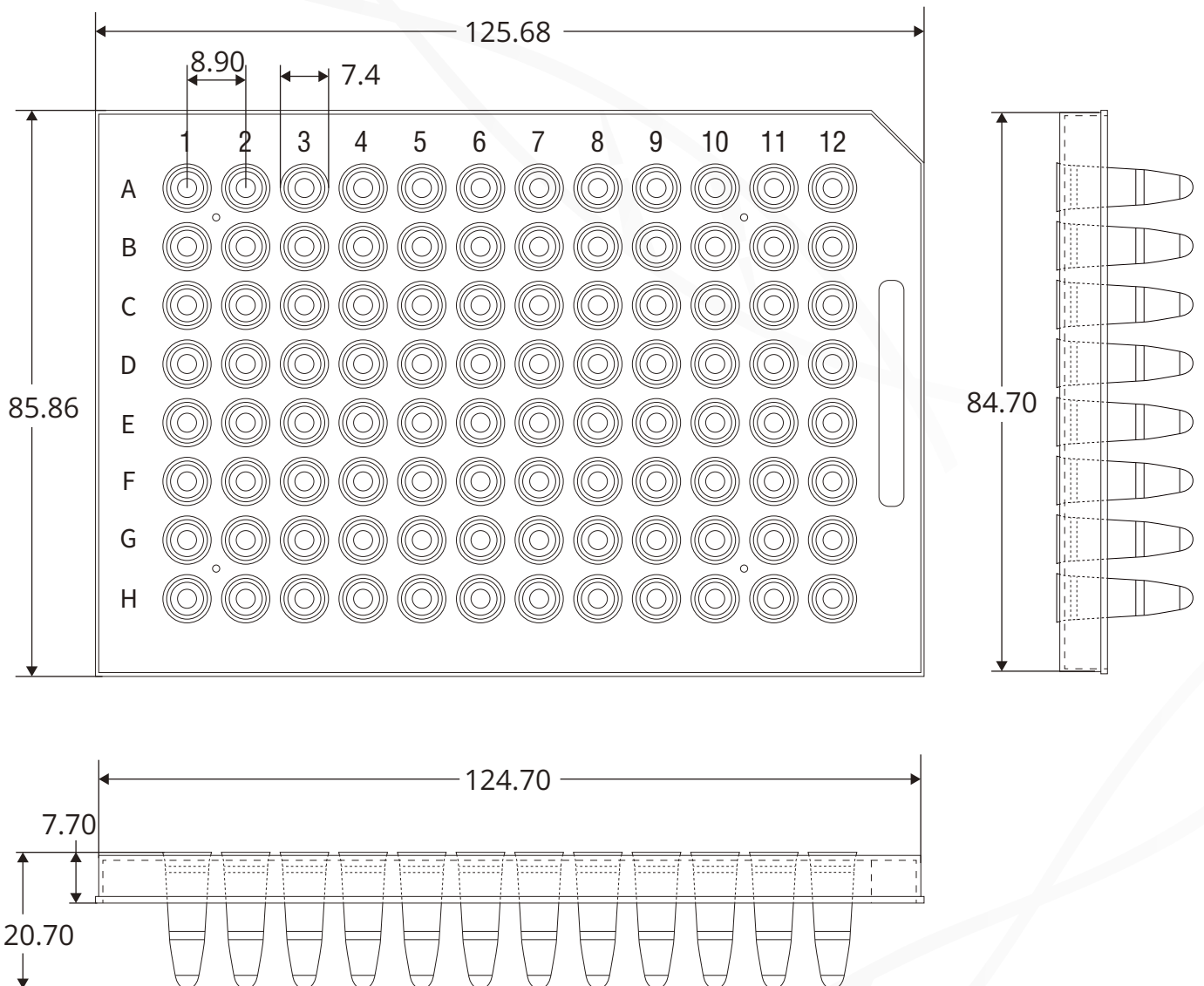
Web: www.GenFollower.com

Fax: +86-575-82032762

Tel: +86-575-82936953



 **Technical Drawing - A96WS-02N+A96WS-02W6+A96WS-02PN**



(Unit: mm)

SHAOXING GENFOLLOWER BIOTECH CO.,LTD.

Add: Eastern industrial park, Baiguan street, Shangyu district, Shaoxing city, Zhejiang province, China

Email: GenFollower@GenFollower.com

Web: www.GenFollower.com

Fax: +86-575-82032762

Tel: +86-575-82936953

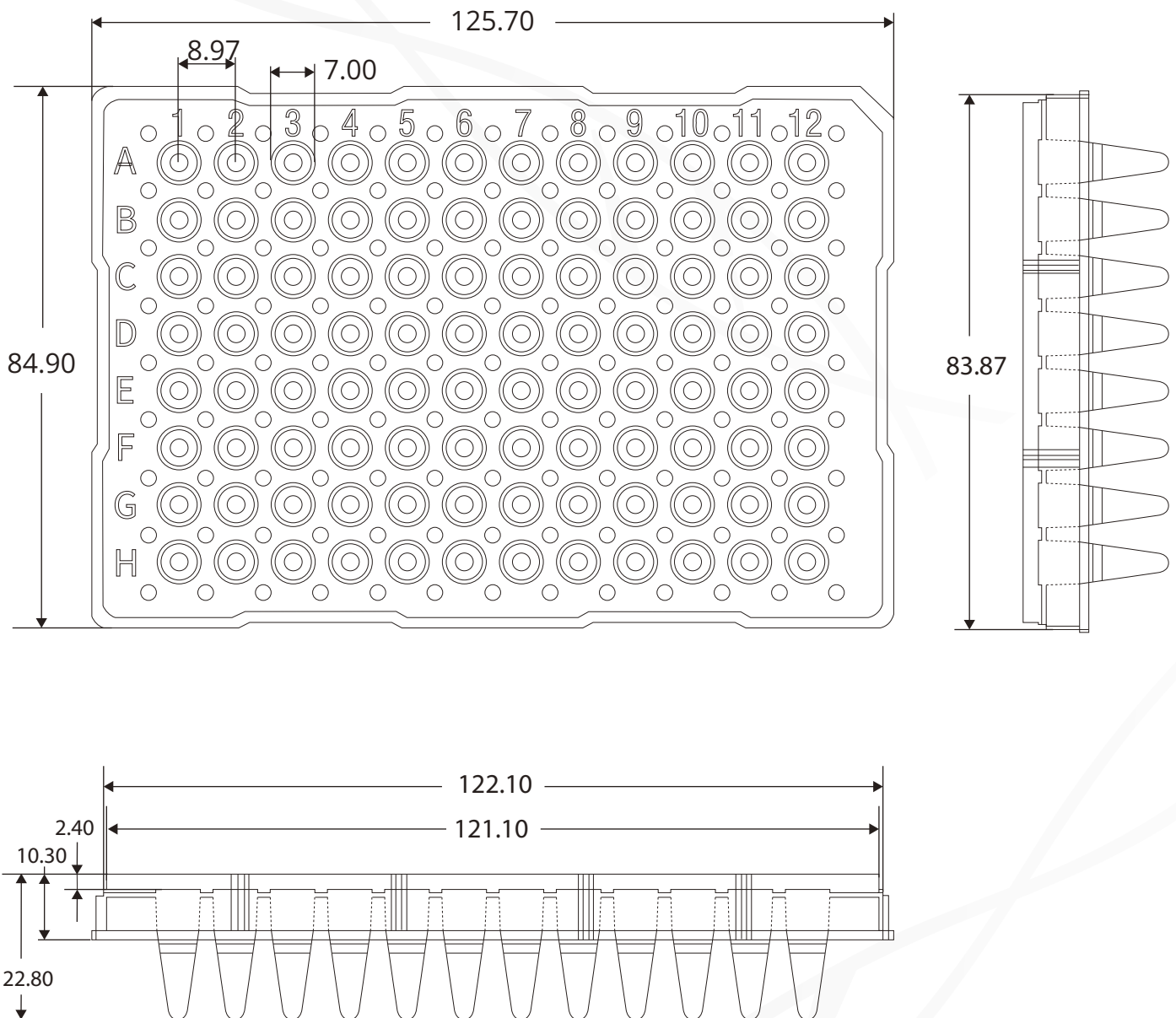
DATA SHEET

PCR Plates

ISO 9001

ISO 13485

Technical Drawing - T96HS-02N



(Unit: mm)

SHAOXING GENFOLLOWER BIOTECH CO.,LTD.

Add: Eastern industrial park, Baiguan street, Shangyu district, Shaoxing city, Zhejiang province, China

Email: GenFollower@Genfollower.com

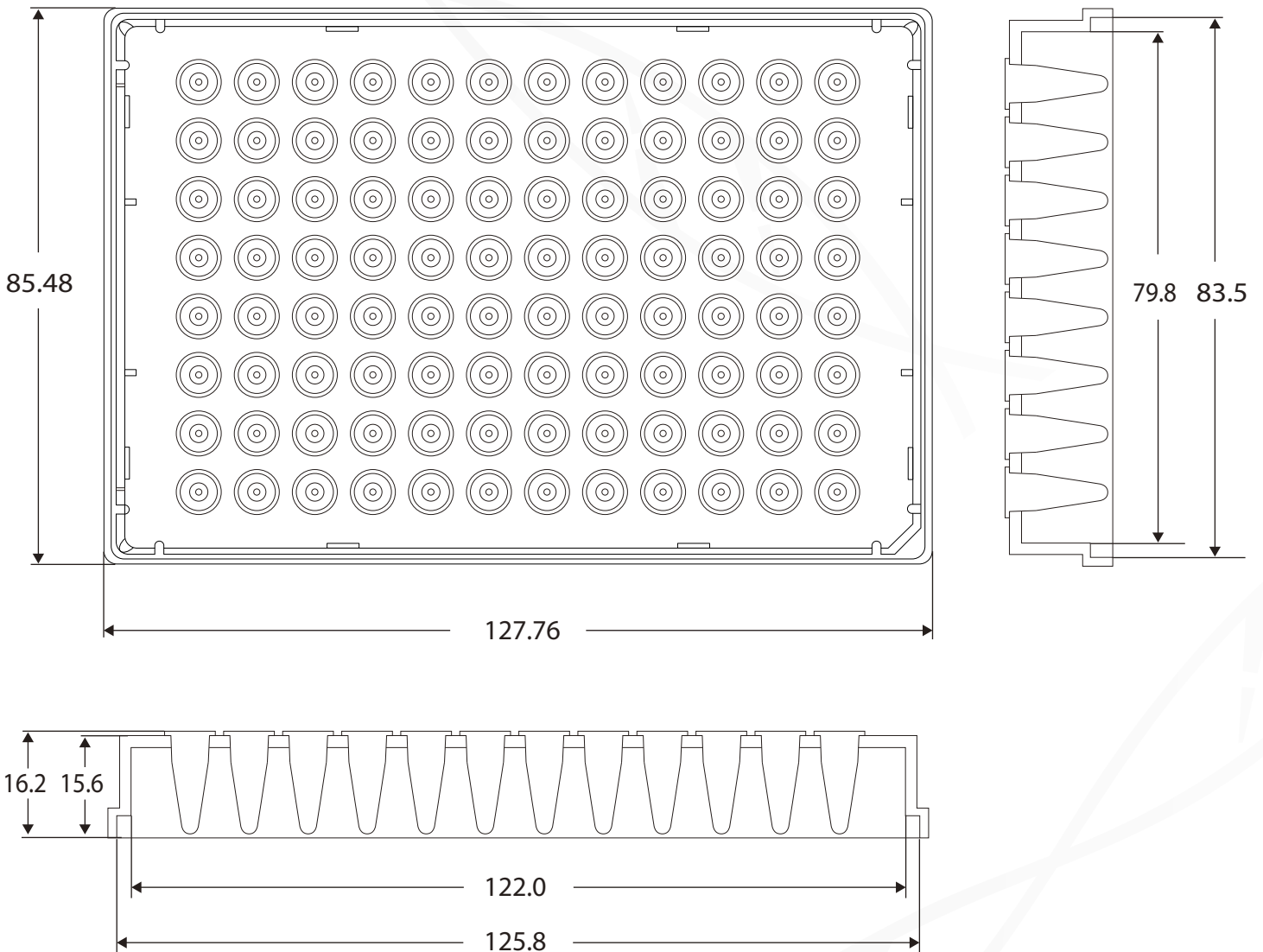
Web: www.GenFollower.com

Fax: +86-575-82032762

Tel: +86-575-82936953

 GenFollower®

 **Technical Drawing - A96FSW-01PW+A96FSN-01PN**



(Unit: mm)

SHAOXING GENFOLLOWER BIOTECH CO.,LTD.

Add: Eastern industrial park, Baiguan street, Shangyu district,

Shaoxing city, Zhejiang province, China

Email: GenFollower@Genfollower.com

Web: www.GenFollower.com

Fax: +86-575-82032762

Tel: +86-575-82936953