

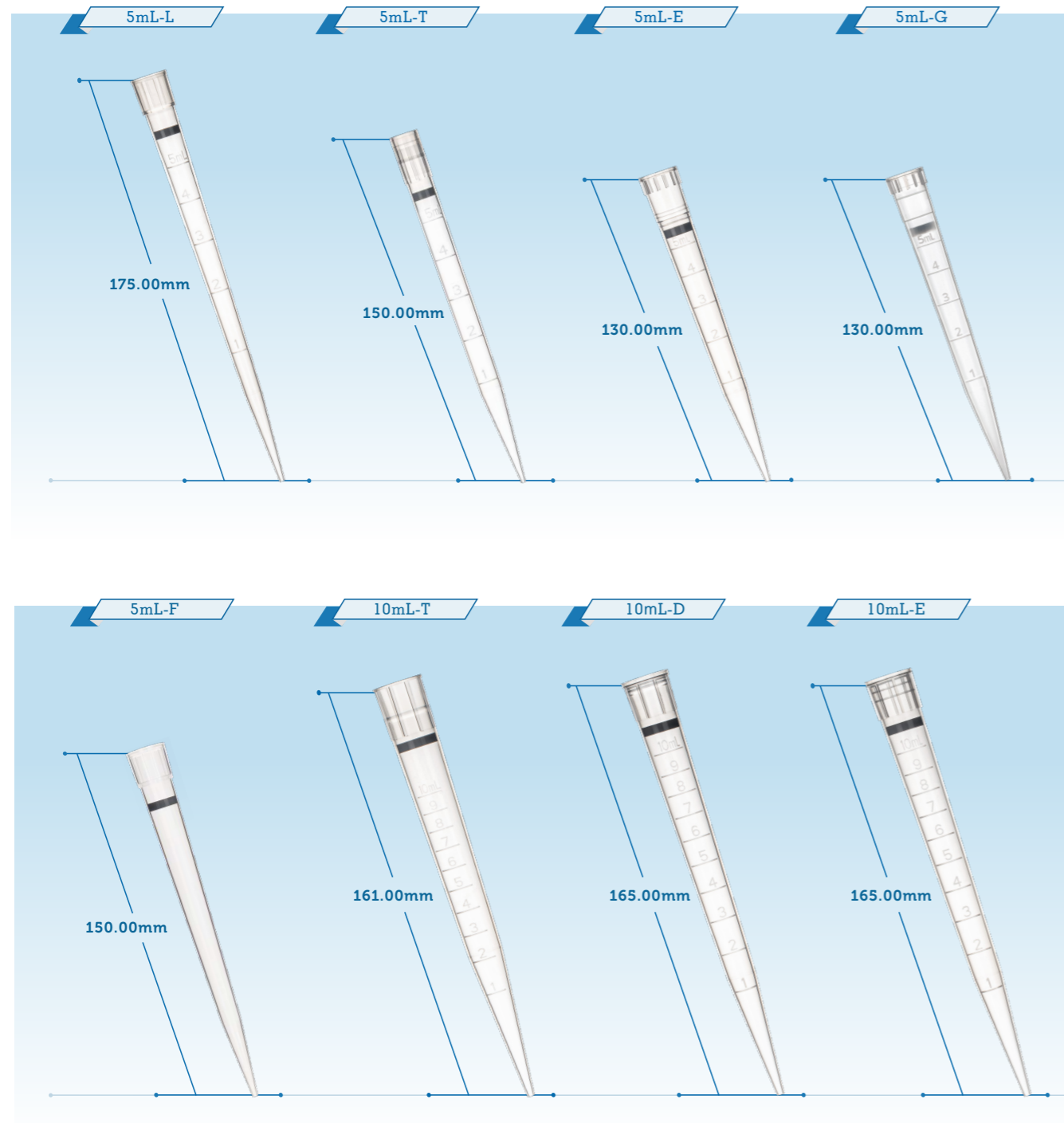


Search "GenFollower" on Youtube or go to
["https://youtube.com/channel/UCLbB_rIWHnNHqceVrOtPgQQ"](https://youtube.com/channel/UCLbB_rIWHnNHqceVrOtPgQQ)

Large Volume Filter Tips

Large & Small entrance Available!

- The transparent tip with clear graduations allows easy observation while pipetting.
- Compatible with major pipette brands like Dragon, Brand, Thermo, Eppendorf, and others.
- Vital for liquid manipulation tasks including cell culture and sample prep.



ORDER INFORMATION

| Size | Packaging | Color | Class | Cat.# | Qty / Case | Size / Case (CM) | | | Weight / Case(Kg) |
|-----------------------------|--------------|--------|---------------------|---------------|------------|------------------|------|------|-------------------|
| | | | | | | L | W | H | |
| 5mL, Large entrance, 175mm | 24 Tips/Rack | Nature | Common | FTR5000L-S | 16 Racks | 42.5 | 28.5 | 41 | 6.30 |
| 5mL, Large entrance, 175mm | 100 Tips/Bag | Nature | | FTB5000L | 10 Bags | 44 | 27 | 30 | 3.80 |
| 5mL, Large entrance, 175mm | 24 Tips/Rack | Nature | Ultra Low retention | FTR5000L-L-S | 16 Racks | 42.5 | 28.5 | 41 | 6.30 |
| 5mL, Large entrance, 175mm | 100 Tips/Bag | Nature | | FTB5000L-L | 10 Bags | 44 | 27 | 30 | 3.80 |
| 5mL, Small entrance, 150mm | 40 Tips/Rack | Nature | Common | FTR5000T-S | 16 Racks | 42.5 | 28.5 | 41 | 7.20 |
| 5mL, Small entrance, 150mm | 100 Tips/Bag | Nature | | FTB5000T | 10 Bags | 44 | 27 | 30 | 3.80 |
| 5mL, Small entrance, 150mm | 40 Tips/Rack | Nature | Ultra Low retention | FTR5000T-L-S | 16 Racks | 42.5 | 28.5 | 41 | 7.20 |
| 5mL, Small entrance, 150mm | 100 Tips/Bag | Nature | | FTB5000T-L | 10 Bags | 44 | 27 | 30 | 3.80 |
| 5mL, Large entrance, 130mm | 24 Tips/Rack | Nature | Common | FTR5000E-S | 16 Racks | 42.5 | 28.5 | 41 | 6.50 |
| 5mL, Large entrance, 130mm | 100 Tips/Bag | Nature | | FTB5000E | 10 Bags | 44 | 27 | 30 | 4.20 |
| 5mL, Large entrance, 130mm | 24 Tips/Rack | Nature | Ultra Low retention | FTR5000E-L-S | 16 Racks | 42.5 | 28.5 | 41 | 6.50 |
| 5mL, Large entrance, 130mm | 100 Tips/Bag | Nature | | FTB5000E-L | 10 Bags | 44 | 27 | 30 | 4.20 |
| 5mL, Small entrance, 130mm | 24 Tips/Rack | Nature | Common | FTR5000G-S | 16 Racks | 42.5 | 28.5 | 41 | 6.50 |
| 5mL, Small entrance, 130mm | 100 Tips/Bag | Nature | | FTB5000G | 10 Bags | 44 | 27 | 30 | 4.20 |
| 5mL, Small entrance, 130mm | 24 Tips/Rack | Nature | Ultra Low retention | FTR5000G-L-S | 16 Racks | 42.5 | 28.5 | 41 | 6.50 |
| 5mL, Small entrance, 130mm | 100 Tips/Bag | Nature | | FTB5000G-L | 10 Bags | 44 | 27 | 30 | 4.20 |
| 5mL, Large entrance, 150mm | 24 Tips/Rack | Nature | Common | FTR5000F-S | 16 Racks | 42.5 | 28.5 | 41 | 6.30 |
| 5mL, Large entrance, 150mm | 100 Tips/Bag | Nature | | FTB5000F | 10 Bags | 44 | 27 | 30 | 3.80 |
| 5mL, Large entrance, 150mm | 24 Tips/Rack | Nature | Ultra Low retention | FTR5000F-L-S | 16 Racks | 42.5 | 28.5 | 41 | 6.30 |
| 5mL, Large entrance, 150mm | 100 Tips/Bag | Nature | | FTB5000F-L | 10 Bags | 44 | 27 | 30 | 3.80 |
| 10mL, Large entrance, 161mm | 24 Tips/Rack | Nature | Common | FTR10000T-S | 16 Racks | 42.5 | 28.5 | 41 | 7.10 |
| 10mL, Large entrance, 161mm | 100 Tips/Bag | Nature | | FTB10000T | 10 Bags | 48.5 | 26 | 39.5 | 6.30 |
| 10mL, Large entrance, 161mm | 24 Tips/Rack | Nature | Ultra Low retention | FTR10000T-L-S | 16 Racks | 42.5 | 28.5 | 41 | 7.10 |
| 10mL, Large entrance, 161mm | 100 Tips/Bag | Nature | | FTB10000T-L | 10 Bags | 48.5 | 26 | 39.5 | 6.30 |
| 10mL, Small entrance, 165mm | 24 Tips/Rack | Nature | Common | FTR10000D-S | 16 Racks | 42.5 | 28.5 | 41 | 7.00 |
| 10mL, Small entrance, 165mm | 100 Tips/Bag | Nature | | FTB10000D | 10 Bags | 48.5 | 26 | 39.5 | 6.20 |
| 10mL, Small entrance, 165mm | 24 Tips/Rack | Nature | Ultra Low retention | FTR10000D-L-S | 16 Racks | 42.5 | 28.5 | 41 | 7.00 |
| 10mL, Small entrance, 165mm | 100 Tips/Bag | Nature | | FTB10000D-L | 10 Bags | 48.5 | 26 | 39.5 | 6.20 |
| 10mL, Small entrance, 165mm | 24 Tips/Rack | Nature | Common | FTR10000E-S | 16 Racks | 42.5 | 28.5 | 41 | 7.00 |
| 10mL, Small entrance, 165mm | 100 Tips/Bag | Nature | | FTB10000E | 10 Bags | 48.5 | 26 | 39.5 | 6.20 |
| 10mL, Small entrance, 165mm | 24 Tips/Rack | Nature | Ultra Low retention | FTR10000E-L-S | 16 Racks | 42.5 | 28.5 | 41 | 7.00 |
| 10mL, Small entrance, 165mm | 100 Tips/Bag | Nature | | FTB10000E-L | 10 Bags | 48.5 | 26 | 39.5 | 6.20 |

Please kindly note In the context of 10mL-X/5mL-X, this notation refers to the letter right after Cat. #5000 and Cat. #10000.



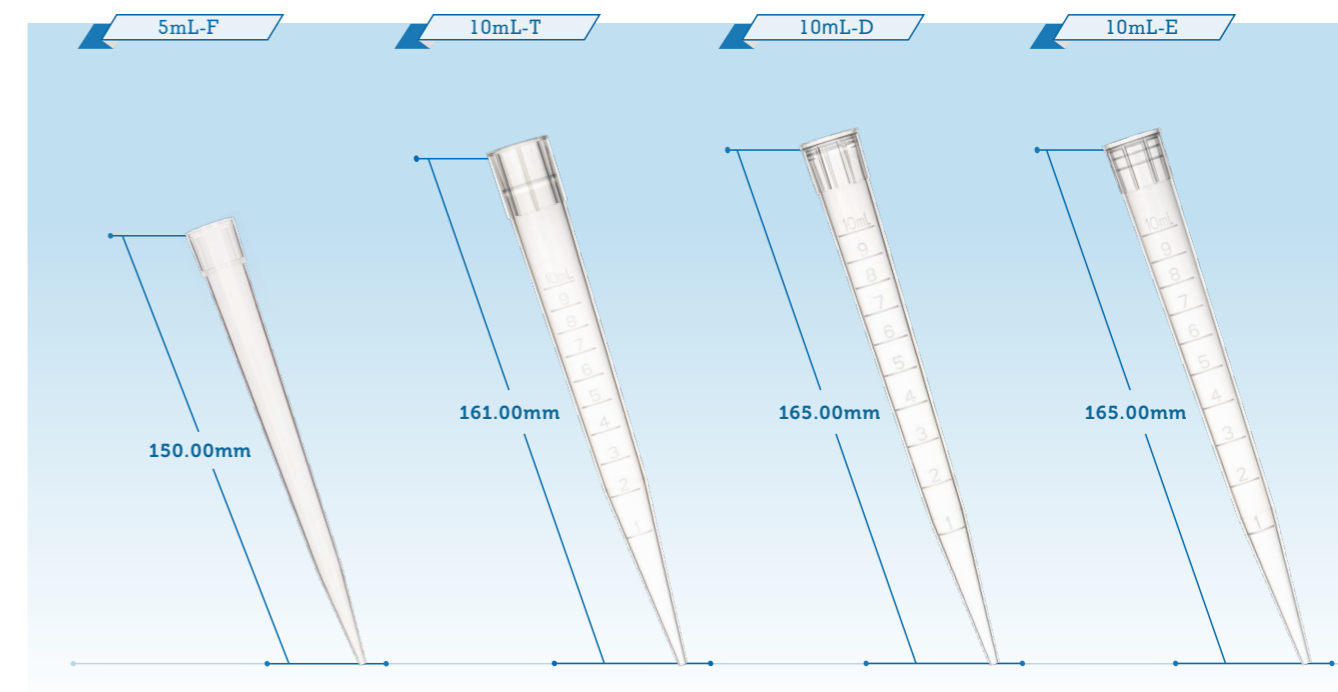
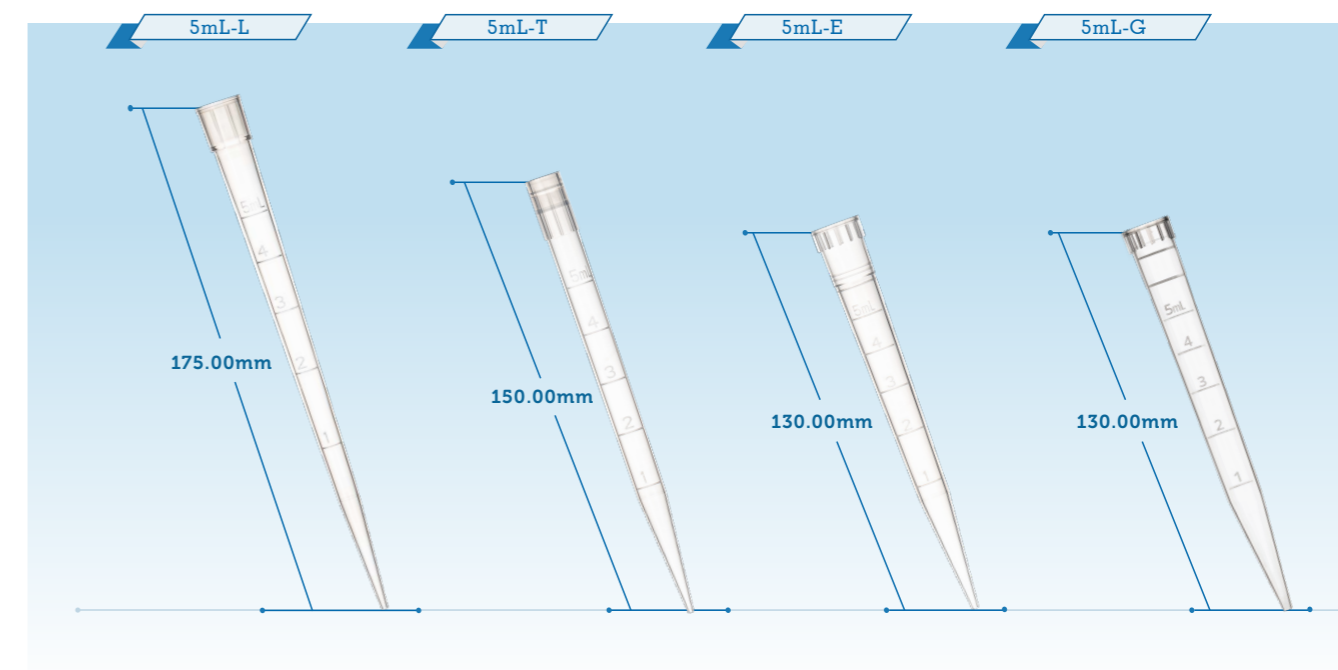
Search "GenFollower" on Youtube or go to
["https://youtube.com/channel/UCLbB_r1WHnNHqceVrOtPgQQ"](https://youtube.com/channel/UCLbB_r1WHnNHqceVrOtPgQQ)

COMPATIBILITY

| Pipette Brand Cat.# | Eppendorf | Dragon | Sartorius | Brand | LABSERV | Thermo | Thermo Finnpipette | Watson | Gilson | Rainin UNV | Biohit | IKA | VWR |
|---|-----------|--------|-----------|-------|---------|--------|-----------------------|--------|--------|------------|--------|-----|-----|
| FTR5000L-S; FTB5000L; FTR5000L-L-S; FTB5000L-L | ✓ | ✓ | ✓ | | ✓ | | | | | | | | |
| FTR5000T-S; FTB5000T; FTR5000T-L-S; FTB5000T-L | | | | ✓ | | | ✓ | | | | | | |
| FTR5000E-S; FTB5000E; FTR5000E-L-S; FTB5000E-L | ✓ | ✓ | ✓ | | | | | ✓ | | | ✓ | ✓ | ✓ |
| FTR5000G-S; FTB5000G; FTR5000G-L-S; FTB5000G-L | | | | | | | | | ✓ | ✓ | | | |
| FTR5000F-S; FTB5000F; FTR5000F-L-S; FTB5000F-L | ✓ | ✓ | ✓ | | ✓ | | | | | | | | |
| FTR10000T-S; FTB10000T; FTR10000T-L-S; FTB10000T-L | | | | | | ✓ | | | | | | | ✓ |
| FTR10000D-S; FTB10000D; FTR10000D-L-S; FTB10000D-L | ✓ | ✓ | | ✓ | ✓ | | | | | | | ✓ | |
| FTR10000E-S; FTB10000E; FTR10000E-L-S; FTB10000E-L | ✓ | | ✓ | ✓ | ✓ | | | | ✓ | ✓ | | ✓ | |

Large Volume Pipette Tips

Large & Small entrance Available!



Please kindly note: In the context of 10mL-X/5mL-X, this notation refers to the letter right after Cat. #5000 and Cat. #10000.

ORDER INFORMATION

| Size | Packaging | Color | Class | Cat.# | Qty / Case | Size / Case (CM) | | | Weight / Case(Kg) |
|-----------------------------|--------------|--------|---------------------|--------------|------------|------------------|------|------|-------------------|
| | | | | | | L | W | H | |
| 5mL, Large entrance, 175mm | 24 Tips/Rack | Nature | Common | TR5000L-S | 16 Racks | 42.5 | 28.5 | 41 | 6.20 |
| 5mL, Large entrance, 175mm | 100 Tips/Bag | Nature | | TB5000L | 10 Bags | 44 | 27 | 30 | 3.70 |
| 5mL, Large entrance, 175mm | 24 Tips/Rack | Nature | Ultra Low retention | TR5000L-L-S | 16 Racks | 42.5 | 28.5 | 41 | 6.20 |
| 5mL, Large entrance, 175mm | 100 Tips/Bag | Nature | | TB5000L-L | 10 Bags | 44 | 27 | 30 | 3.70 |
| 5mL, Small entrance, 150mm | 40 Tips/Rack | Nature | Common | TR5000T-S | 16 Racks | 42.5 | 28.5 | 41 | 7.00 |
| 5mL, Small entrance, 150mm | 100 Tips/Bag | Nature | | TB5000T | 10 Bags | 44 | 27 | 30 | 3.70 |
| 5mL, Small entrance, 150mm | 40 Tips/Rack | Nature | Ultra Low retention | TR5000T-L-S | 16 Racks | 42.5 | 28.5 | 41 | 7.00 |
| 5mL, Small entrance, 150mm | 100 Tips/Bag | Nature | | TB5000T-L | 10 Bags | 44 | 27 | 30 | 3.70 |
| 5mL, Large entrance, 130mm | 24 Tips/Rack | Nature | Common | TR5000E-S | 16 Racks | 42.5 | 28.5 | 41 | 6.40 |
| 5mL, Large entrance, 130mm | 100 Tips/Bag | Nature | | TB5000E | 10 Bags | 44 | 27 | 30 | 4.10 |
| 5mL, Large entrance, 130mm | 24 Tips/Rack | Nature | Ultra Low retention | TR5000E-L-S | 16 Racks | 42.5 | 28.5 | 41 | 6.40 |
| 5mL, Large entrance, 130mm | 100 Tips/Bag | Nature | | TB5000E-L | 10 Bags | 44 | 27 | 30 | 4.10 |
| 5mL, Small entrance, 130mm | 24 Tips/Rack | Nature | Common | TR5000G-S | 16 Racks | 42.5 | 28.5 | 41 | 6.40 |
| 5mL, Small entrance, 130mm | 100 Tips/Bag | Nature | | TB5000G | 10 Bags | 44 | 27 | 30 | 4.10 |
| 5mL, Small entrance, 130mm | 24 Tips/Rack | Nature | Ultra Low retention | TR5000G-L-S | 16 Racks | 42.5 | 28.5 | 41 | 6.40 |
| 5mL, Small entrance, 130mm | 100 Tips/Bag | Nature | | TB5000G-L | 10 Bags | 44 | 27 | 30 | 4.10 |
| 5mL, Large entrance, 150mm | 24 Tips/Rack | Nature | Common | TR5000F-S | 16 Racks | 42.5 | 28.5 | 41 | 6.20 |
| 5mL, Large entrance, 150mm | 100 Tips/Bag | Nature | | TB5000F | 10 Bags | 44 | 27 | 30 | 3.70 |
| 5mL, Large entrance, 150mm | 24 Tips/Rack | Nature | Ultra Low retention | TR5000F-L-S | 16 Racks | 42.5 | 28.5 | 41 | 6.20 |
| 5mL, Large entrance, 150mm | 100 Tips/Bag | Nature | | TB5000F-L | 10 Bags | 44 | 27 | 30 | 3.70 |
| 10mL, Large entrance, 161mm | 24 Tips/Rack | Nature | Common | TR10000T-S | 16 Racks | 42.5 | 28.5 | 41 | 7.00 |
| 10mL, Large entrance, 161mm | 100 Tips/Bag | Nature | | TB10000T | 10 Bags | 48.5 | 26 | 39.5 | 6.20 |
| 10mL, Large entrance, 161mm | 24 Tips/Rack | Nature | Ultra Low retention | TR10000T-L-S | 16 Racks | 42.5 | 28.5 | 41 | 7.00 |
| 10mL, Large entrance, 161mm | 100 Tips/Bag | Nature | | TB10000T-L | 10 Bags | 48.5 | 26 | 39.5 | 6.20 |
| 10mL, Small entrance, 165mm | 24 Tips/Rack | Nature | Common | TR10000D-S | 16 Racks | 42.5 | 28.5 | 41 | 6.90 |
| 10mL, Small entrance, 165mm | 100 Tips/Bag | Nature | | TB10000D | 10 Bags | 48.5 | 26 | 39.5 | 6.10 |
| 10mL, Small entrance, 165mm | 24 Tips/Rack | Nature | Ultra Low retention | TR10000D-L-S | 16 Racks | 42.5 | 28.5 | 41 | 6.90 |
| 10mL, Small entrance, 165mm | 100 Tips/Bag | Nature | | TB10000D-L | 10 Bags | 48.5 | 26 | 39.5 | 6.10 |
| 10mL, Small entrance, 165mm | 24 Tips/Rack | Nature | Common | TR10000E-S | 16 Racks | 42.5 | 28.5 | 41 | 6.90 |
| 10mL, Small entrance, 165mm | 100 Tips/Bag | Nature | | TB10000E | 10 Bags | 48.5 | 26 | 39.5 | 6.10 |
| 10mL, Small entrance, 165mm | 24 Tips/Rack | Nature | Ultra Low retention | TR10000E-L-S | 16 Racks | 42.5 | 28.5 | 41 | 6.90 |
| 10mL, Small entrance, 165mm | 100 Tips/Bag | Nature | | TB10000E-L | 10 Bags | 48.5 | 26 | 39.5 | 6.10 |

COMPATIBILITY

| Pipette Brand Cat.# | Eppendorf | Dragon | Sartorius | Brand | LABSERV | Thermo | Thermo Finnpipette | Watson | Gilson | Rainin UNV | Biohit | IKA | VWR |
|---|-----------|--------|-----------|-------|---------|--------|-----------------------|--------|--------|------------|--------|-----|-----|
| TR5000L-S; TB5000L; TR5000L-L-S; TB5000L-L | ✓ | ✓ | ✓ | | ✓ | | | | | | | | |
| TR5000T-S; TB5000T; TR5000T-L-S; TB5000T-L | | | | ✓ | | | ✓ | | | | | | |
| TR5000E-S; TB5000E; TR5000E-L-S; TB5000E-L | ✓ | ✓ | ✓ | | | | | ✓ | | | ✓ | ✓ | ✓ |
| TR5000G-S; TB5000G; TR5000G-L-S; TB5000G-L | | | | | | | | | ✓ | ✓ | | | |
| TR5000F-S; TB5000F; TR5000F-L-S; TB5000F-L | ✓ | ✓ | ✓ | | ✓ | | | | | | | | |
| TR10000T-S; TB10000T; TR10000T-L-S; TB10000T-L | | | | | | ✓ | | | | | | | ✓ |
| TR10000D-S; TB10000D; TR10000D-L-S; TB10000D-L | ✓ | ✓ | | ✓ | ✓ | | | | | | | | ✓ |
| TR10000E-S; TB10000E; TR10000E-L-S; TB10000E-L | ✓ | | ✓ | ✓ | ✓ | | | | ✓ | ✓ | | ✓ | |