

DATA SHEET

Syringe Filters

ISO 9001

ISO 13485

Features



PES material minimizes protein binding, ideal for sensitive applications.

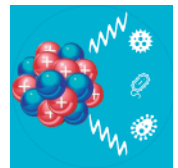


Multiple pore sizes available to suit different filtration requirements.

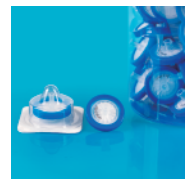
Robust housing withstands up to 87 psi of pressure.



Gamma sterilized for safety and reliability.



Flexible packaging options to meet various needs.



Raw Material

The membrane is made of Polyethersulfone (PES), and the housing is made of Polypropylene (PP).

Application

Syringe filters are widely used in applications such as HPLC analysis, sample preparation, medical device filtration, laboratory filtration, and environmental monitoring. They play a crucial role in ensuring sample integrity and reliability across these diverse fields.

We Open To New Ideas!



SHAOXING GENFOLLOWER BIOTECH CO.,LTD.

Add: Eastern industrial park, Baiguan street, Shangyu district, Shaoxing city, Zhejiang province, China

Email: GenFollower@Genfollower.com

Web: www.GenFollower.com

Fax: +86-575-82032762

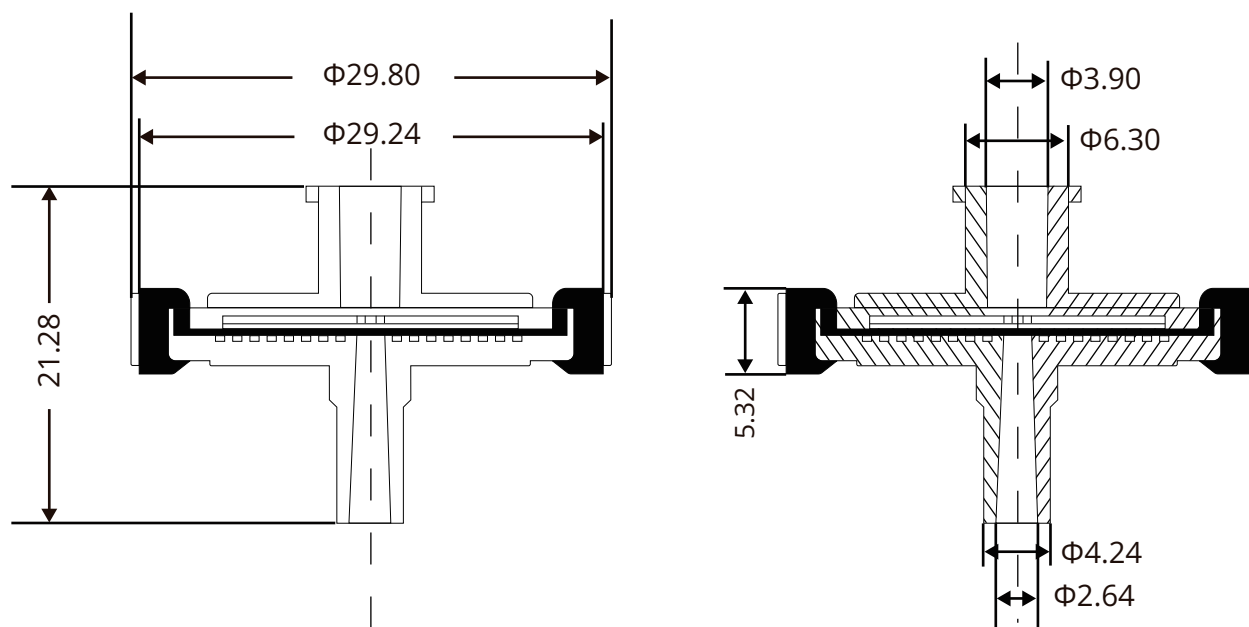
Tel: +86-575-82936953

The GenFollower logo, featuring a stylized DNA double helix in red and blue above the text 'GenFollower' in a bold, sans-serif font, with a registered trademark symbol (®) to the right.

Product Range

CAT.#	Description	Packaging
SF012120	PES syringe filters, pore size 0.22µm, light blue, DNase and RNase free	100 pcs/container, 50 containers/case
SF012135	PES syringe filters, pore size 0.22µm, light blue, DNase and RNase free	50 psc/box, 20 boxes/case
SF012220	PES syringe filters, pore size 0.45µm, dark blue, DNase and RNase free	100 pcs/container, 50 containers/case
SF012235	PES syringe filters, pore size 0.45µm, dark blue, DNase and RNase free	50 psc/box, 20 boxes/case

Technical Drawing - 0.22µm Pore Size



(Unit: mm)

SHAOXING GENFOLLOWER BIOTECH CO.,LTD.

Add: Eastern industrial park, Baiguan street, Shangyu district, Shaoxing city, Zhejiang province, China

Email: GenFollower@Genfollower.com

Web: www.GenFollower.com

Fax: +86-575-82032762

Tel: +86-575-82936953

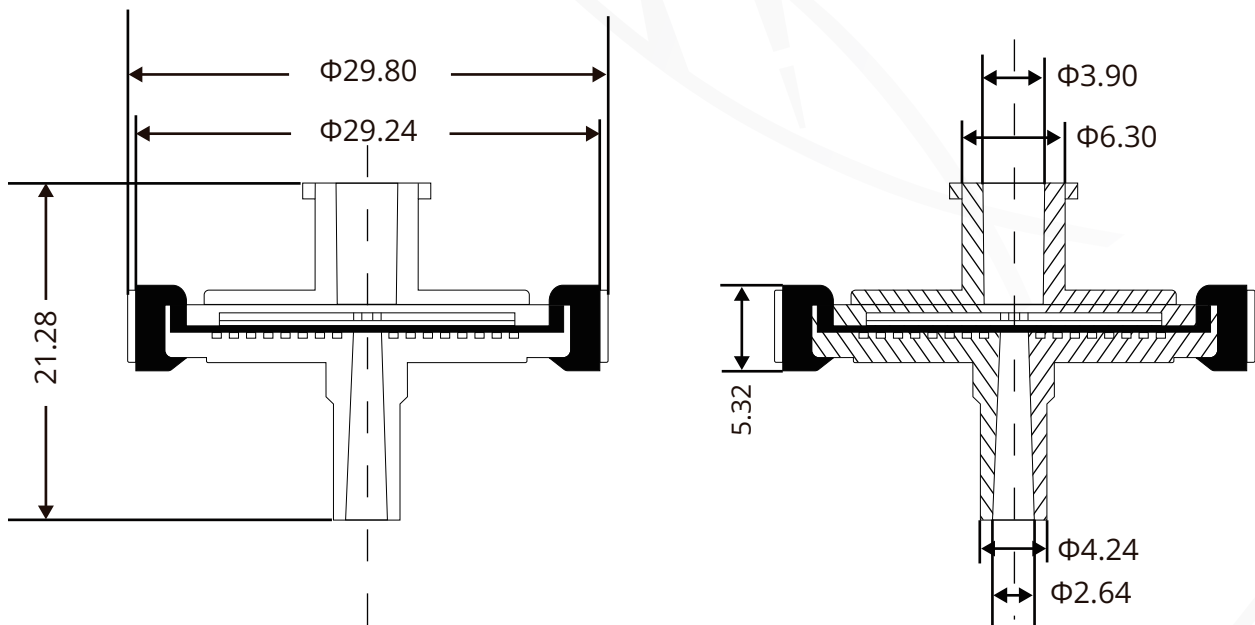
DATA SHEET

Syringe Filters

ISO 9001

ISO 13485

Technical Drawing - 0.45 μ m Pore Size



(Unit: mm)

SHAOXING GENFOLLOWER BIOTECH CO.,LTD.

Add: Eastern industrial park, Baiguan street, Shangyu district,
Shaoxing city, Zhejiang province, China

Email: GenFollower@Genfollower.com

Web: www.GenFollower.com

Fax: +86-575-82032762

Tel: +86-575-82936953

GenFollower[®]