

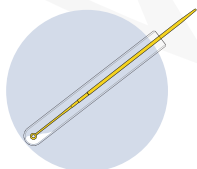
DATA SHEET

Inoculating Loops & Needles

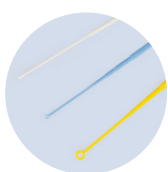
ISO 9001

ISO 13485

Features



The long reach design is well-suited for use in narrow and other specialized vessels.



Special smooth surface prevents damage to the AGAR surface during operation.

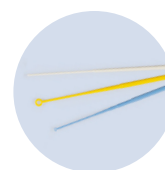


The fine tip of the needle enables accurate streaking, inoculation or picking of colonies.

Individual packaging option is available to eliminate cross-contamination.



Different colors enable easy identification.



The pre-sterilization treatment ensures freedom from DNA, DNase, RNase, and pyrogens.



Raw Material

The product is made of High Impact Polystyrene (HIPS).

Application

Inoculation loops and needles are vital instruments used in microbiology laboratories to facilitate the transfer and streaking of bacteria, yeast, and other microorganisms. Their primary purpose is to ensure aseptic conditions, prevent contamination, and enable the transfer of microorganisms between different locations.

Straight needles extract single colony samples, while loops recover larger samples. These tools play a pivotal role in various laboratory procedures involved in the study, identification, and culture of microorganisms.

We Open To New Ideas!



SHAOXING GENFOLLOWER BIOTECH CO.,LTD.

Add: Eastern industrial park, Baiguan street, Shangyu district,

Shaoxing city, Zhejiang province, China

Email: GenFollower@Genfollower.com

Web: www.GenFollower.com

Fax: +86-575-82032762

Tel: +86-575-82936953

**GenFollower**[®]

DATA SHEET

Inoculating Loops & Needles

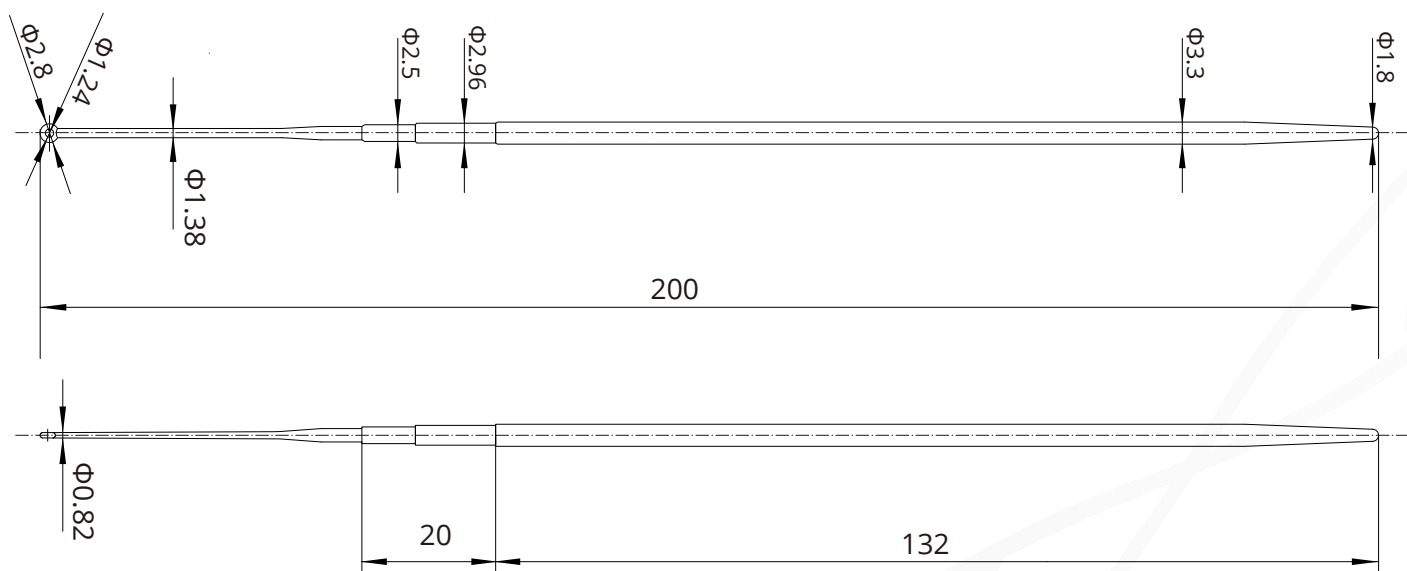
ISO 9001

ISO 13485

Product Range

CAT.#	Size	Description	Packaging
LH19901	1uL	199mm Inoculating loops, Blue individual package, sterile, RNase and DNase free	10 PCS/Bag, 50 Bags/Case
LH20210	10uL	202mm Inoculating loops, Yellow, individual package, sterile, RNase and DNase free	10 PCS/Bag, 50 Bags/Case
CZ00001	Needle	228mm Inoculating needles, White, individual package, sterile, RNase and DNase free	10 PCS/Bag, 50 Bags/Case

Technical Drawing - LH19901



(Unit: mm)

SHAOXING GENFOLLOWER BIOTECH CO.,LTD.

Add: Eastern industrial park, Baiguan street, Shangyu district,

Shaoxing city, Zhejiang province, China

Email: GenFollower@Genfollower.com

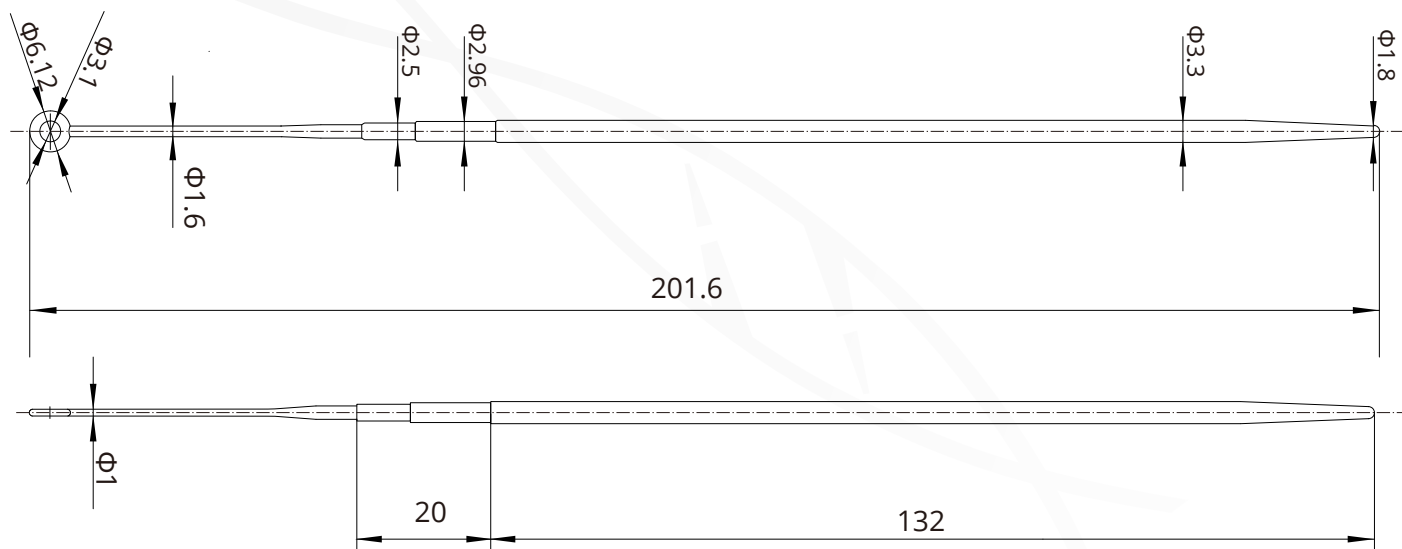
Web: www.GenFollower.com

Fax: +86-575-82032762

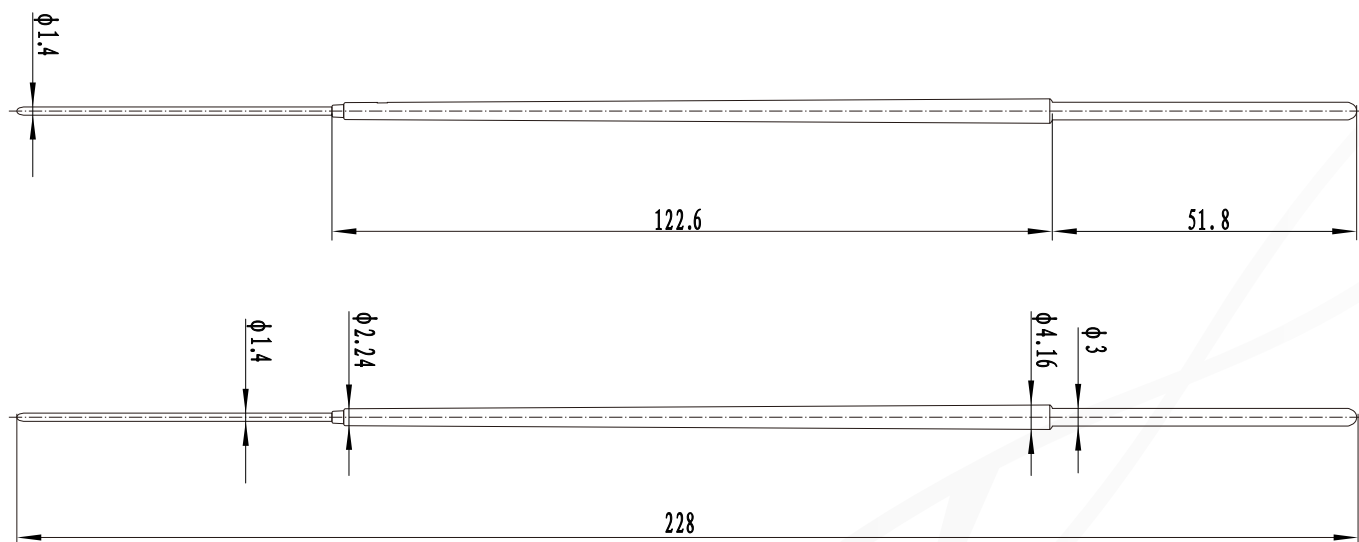
Tel: +86-575-82936953



Technical Drawing - LH20210



Technical Drawing - CZ00001



(Unit: mm)

SHAOXING GENFOLLOWER BIOTECH CO.,LTD.

Add: Eastern industrial park, Baiguan street, Shangyu district,

Shaoxing city, Zhejiang province, China

Email: GenFollower@Genfollower.com

Web: www.GenFollower.com

Fax: +86-575-82032762

Tel: +86-575-82936953