

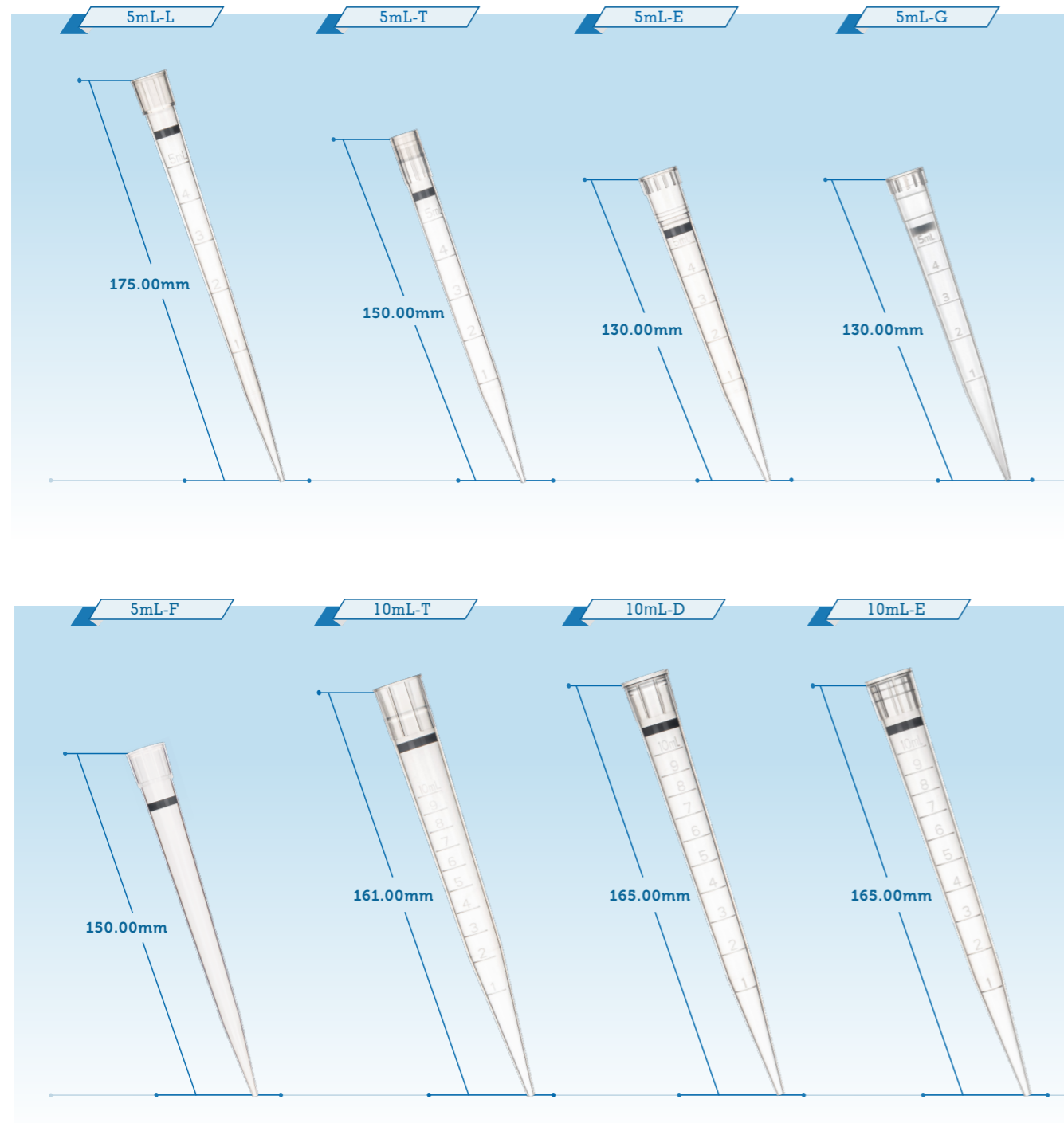


Search "GenFollower" on Youtube or go to  
["https://youtube.com/channel/UCLbB\\_rIWHnNHqceVrOtPgQQ"](https://youtube.com/channel/UCLbB_rIWHnNHqceVrOtPgQQ)

# Large Volume Filter Tips

**Large & Small entrance Available!**

- The transparent tip with clear graduations allows easy observation while pipetting.
- Compatible with major pipette brands like Dragon, Brand, Thermo, Eppendorf, and others.
- Vital for liquid manipulation tasks including cell culture and sample prep.



## ORDER INFORMATION

Size	Packaging	Color	Class	Cat.#	Qty / Case	Size / Case (CM)			Weight / Case(Kg)
						L	W	H	
5mL, Large entrance, Long	24 Tips/Rack	Nature	Common	FTR5000L-S	16 Racks	42.5	28.5	41	6.30
5mL, Large entrance, Long	100 Tips/Bag	Nature		FTB5000L	10 Bags	44	27	30	3.80
5mL, Large entrance, Long	24 Tips/Rack	Nature	Ultra Low retention	FTR5000L-L-S	16 Racks	42.5	28.5	41	6.30
5mL, Large entrance, Long	100 Tips/Bag	Nature		FTB5000L-L	10 Bags	44	27	30	3.80
5mL, Small entrance	40 Tips/Rack	Nature	Common	FTR5000T-S	16 Racks	42.5	28.5	41	7.20
5mL, Small entrance	100 Tips/Bag	Nature		FTB5000T	10 Bags	44	27	30	3.80
5mL, Small entrance	40 Tips/Rack	Nature	Ultra Low retention	FTR5000T-L-S	16 Racks	42.5	28.5	41	7.20
5mL, Small entrance	100 Tips/Bag	Nature		FTB5000T-L	10 Bags	44	27	30	3.80
5mL, Large entrance, Short	24 Tips/Rack	Nature	Common	FTR5000E-S	16 Racks	42.5	28.5	41	6.50
5mL, Large entrance, Short	100 Tips/Bag	Nature		FTB5000E	10 Bags	44	27	30	4.20
5mL, Large entrance, Short	24 Tips/Rack	Nature	Ultra Low retention	FTR5000E-L-S	16 Racks	42.5	28.5	41	6.50
5mL, Large entrance, Short	100 Tips/Bag	Nature		FTB5000E-L	10 Bags	44	27	30	4.20
5mL, Small entrance, Short	24 Tips/Rack	Nature	Common	FTR5000G-S	16 Racks	42.5	28.5	41	6.50
5mL, Small entrance	100 Tips/Bag	Nature		FTB5000G	10 Bags	44	27	30	4.20
5mL, Small entrance	24 Tips/Rack	Nature	Ultra Low retention	FTR5000G-L-S	16 Racks	42.5	28.5	41	6.50
5mL, Small entrance	100 Tips/Bag	Nature		FTB5000G-L	10 Bags	44	27	30	4.20
5mL, Large entrance, Short	24 Tips/Rack	Nature	Common	FTR5000F-S	16 Racks	42.5	28.5	41	6.30
5mL, Large entrance, Short	100 Tips/Bag	Nature		FTB5000F	10 Bags	44	27	30	3.80
5mL, Large entrance, Short	24 Tips/Rack	Nature	Ultra Low retention	FTR5000F-L-S	16 Racks	42.5	28.5	41	6.30
5mL, Large entrance, Short	100 Tips/Bag	Nature		FTB5000F-L	10 Bags	44	27	30	3.80
10mL, Large entrance	24 Tips/Rack	Nature	Common	FTR10000T-S	16 Racks	42.5	28.5	41	7.10
10mL, Large entrance	100 Tips/Bag	Nature		FTB10000T	10 Bags	48.5	26	39.5	6.30
10mL, Large entrance	24 Tips/Rack	Nature	Ultra Low retention	FTR10000T-L-S	16 Racks	42.5	28.5	41	7.10
10mL, Large entrance	100 Tips/Bag	Nature		FTB10000T-L	10 Bags	48.5	26	39.5	6.30
10mL, Small entrance	24 Tips/Rack	Nature	Common	FTR10000D-S	16 Racks	42.5	28.5	41	7.00
10mL, Small entrance	100 Tips/Bag	Nature		FTB10000D	10 Bags	48.5	26	39.5	6.20
10mL, Small entrance	24 Tips/Rack	Nature	Ultra Low retention	FTR10000D-L-S	16 Racks	42.5	28.5	41	7.00
10mL, Small entrance	100 Tips/Bag	Nature		FTB10000D-L	10 Bags	48.5	26	39.5	6.20
10mL, Small entrance	24 Tips/Rack	Nature	Common	FTR10000E-S	16 Racks	42.5	28.5	41	7.00
10mL, Small entrance	100 Tips/Bag	Nature		FTB10000E	10 Bags	48.5	26	39.5	6.20
10mL, Small entrance	24 Tips/Rack	Nature	Ultra Low retention	FTR10000E-L-S	16 Racks	42.5	28.5	41	7.00
10mL, Small entrance	100 Tips/Bag	Nature		FTB10000E-L	10 Bags	48.5	26	39.5	6.20

Please kindly note In the context of 10mL-X/5mL-X, this notation refers to the letter right after Cat. #5000 and Cat. #10000.



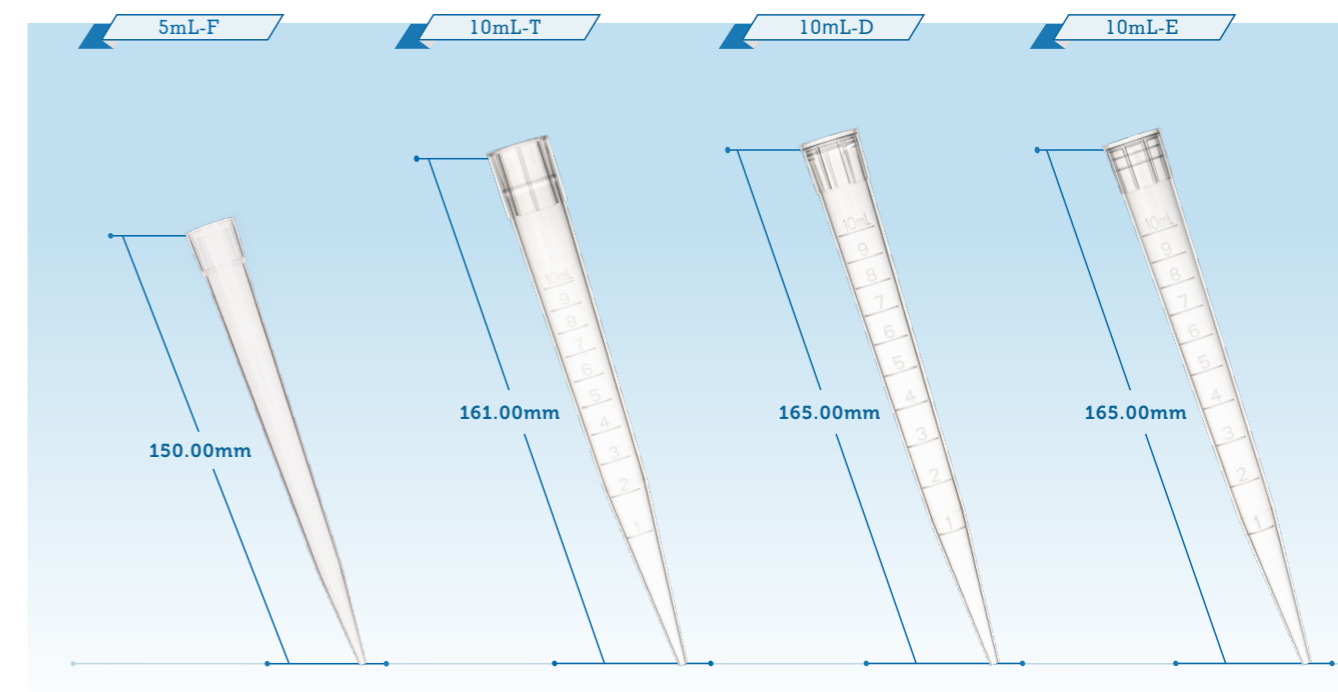
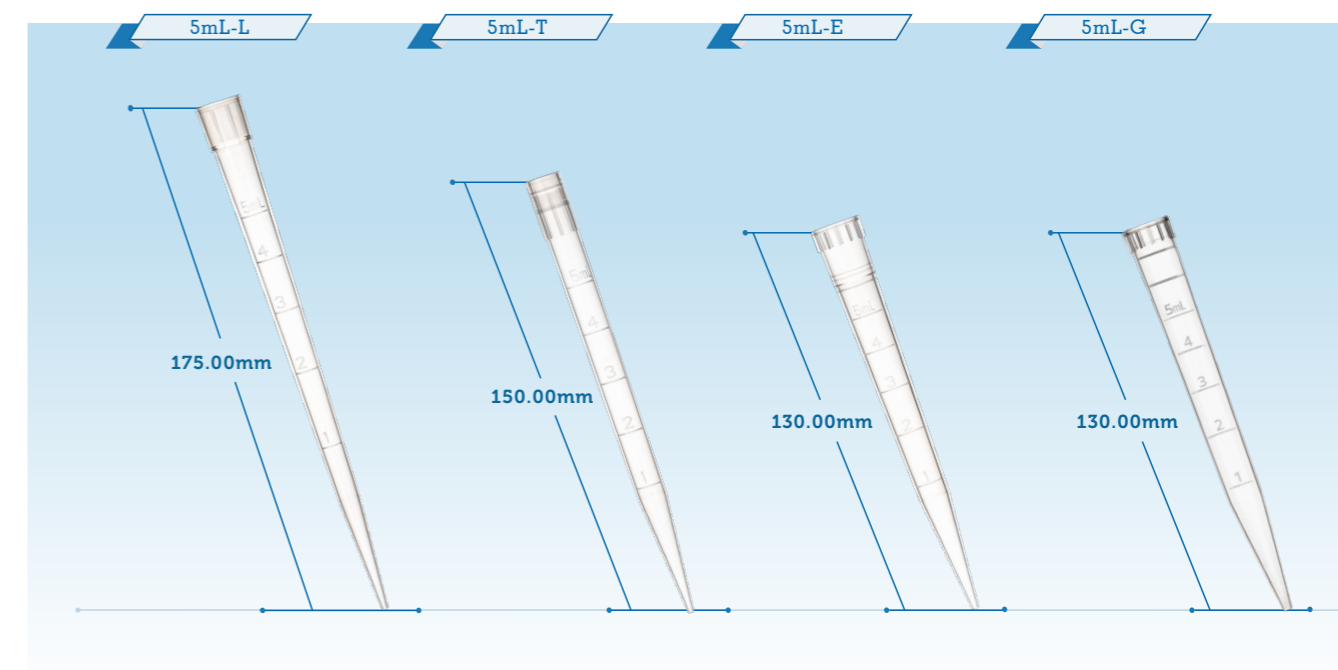
Search "GenFollower" on Youtube or go to  
["https://youtube.com/channel/UCLbB\\_r1WHnNHqceVrOtPgQQ"](https://youtube.com/channel/UCLbB_r1WHnNHqceVrOtPgQQ)

### COMPATIBILITY

Pipette Brand Cat.#	Eppendorf	Dragon	Sartorius	Brand	LABSERV	Thermo	Thermo Finnpipette	Watson	Gilson	Rainin UNV	Biohit	IKA	VWR
FTR5000L-S; FTB5000L; FTR5000L-L-S; FTB5000L-L	✓	✓	✓		✓								
FTR5000T-S; FTB5000T; FTR5000T-L-S; FTB5000T-L				✓			✓						
FTR5000E-S; FTB5000E; FTR5000E-L-S; FTB5000E-L	✓	✓	✓					✓			✓	✓	✓
FTR5000G-S; FTB5000G; FTR5000G-L-S; FTB5000G-L									✓	✓			
FTR5000F-S; FTB5000F; FTR5000F-L-S; FTB5000F-L	✓	✓	✓		✓								
FTR10000T-S; FTB10000T; FTR10000T-L-S; FTB10000T-L						✓							✓
FTR10000D-S; FTB10000D; FTR10000D-L-S; FTB10000D-L	✓	✓		✓	✓							✓	
FTR10000E-S; FTB10000E; FTR10000E-L-S; FTB10000E-L	✓		✓	✓	✓				✓	✓		✓	

## Large Volume Pipette Tips

Large & Small entrance Available!



Please kindly note: In the context of 10mL-X/5mL-X, this notation refers to the letter right after Cat. #5000 and Cat. #10000.

**ORDER INFORMATION**

Size	Packaging	Color	Class	Cat.#	Qty / Case	Size / Case (CM)			Weight / Case(Kg)
						L	W	H	
5mL, Large entrance, Long	24 Tips/Rack	Nature	Common	TR5000L-S	16 Racks	42.5	28.5	41	6.20
5mL, Large entrance, Long	100 Tips/Bag	Nature		TB5000L	10 Bags	44	27	30	3.70
5mL, Large entrance, Long	24 Tips/Rack	Nature	Ultra Low retention	TR5000L-L-S	16 Racks	42.5	28.5	41	6.20
5mL, Large entrance, Long	100 Tips/Bag	Nature		TB5000L-L	10 Bags	44	27	30	3.70
5mL, Small entrance	40 Tips/Rack	Nature	Common	TR5000T-S	16 Racks	42.5	28.5	41	7.00
5mL, Small entrance	100 Tips/Bag	Nature		TB5000T	10 Bags	44	27	30	3.70
5mL, Small entrance	40 Tips/Rack	Nature	Ultra Low retention	TR5000T-L-S	16 Racks	42.5	28.5	41	7.00
5mL, Small entrance	100 Tips/Bag	Nature		TB5000T-L	10 Bags	44	27	30	3.70
5mL, Large entrance, Short	24 Tips/Rack	Nature	Common	TR5000E-S	16 Racks	42.5	28.5	41	6.40
5mL, Large entrance, Short	100 Tips/Bag	Nature		TB5000E	10 Bags	44	27	30	4.10
5mL, Large entrance, Short	24 Tips/Rack	Nature	Ultra Low retention	TR5000E-L-S	16 Racks	42.5	28.5	41	6.40
5mL, Large entrance, Short	100 Tips/Bag	Nature		TB5000E-L	10 Bags	44	27	30	4.10
5mL, Small entrance, Short	24 Tips/Rack	Nature	Common	TR5000G-S	16 Racks	42.5	28.5	41	6.40
5mL, Small entrance	100 Tips/Bag	Nature		TB5000G	10 Bags	44	27	30	4.10
5mL, Small entrance	24 Tips/Rack	Nature	Ultra Low retention	TR5000G-L-S	16 Racks	42.5	28.5	41	6.40
5mL, Small entrance	100 Tips/Bag	Nature		TB5000G-L	10 Bags	44	27	30	4.10
5mL, Large entrance, Short	24 Tips/Rack	Nature	Common	TR5000F-S	16 Racks	42.5	28.5	41	6.20
5mL, Large entrance, Short	100 Tips/Bag	Nature		TB5000F	10 Bags	44	27	30	3.70
5mL, Large entrance, Short	24 Tips/Rack	Nature	Ultra Low retention	TR5000F-L-S	16 Racks	42.5	28.5	41	6.20
5mL, Large entrance, Short	100 Tips/Bag	Nature		TB5000F-L	10 Bags	44	27	30	3.70
10mL, Large entrance	24 Tips/Rack	Nature	Common	TR10000T-S	16 Racks	42.5	28.5	41	7.00
10mL, Large entrance	100 Tips/Bag	Nature		TB10000T	10 Bags	48.5	26	39.5	6.20
10mL, Large entrance	24 Tips/Rack	Nature	Ultra Low retention	TR10000T-L-S	16 Racks	42.5	28.5	41	7.00
10mL, Large entrance	100 Tips/Bag	Nature		TB10000T-L	10 Bags	48.5	26	39.5	6.20
10mL, Small entrance	24 Tips/Rack	Nature	Common	TR10000D-S	16 Racks	42.5	28.5	41	6.90
10mL, Small entrance	100 Tips/Bag	Nature		TB10000D	10 Bags	48.5	26	39.5	6.10
10mL, Small entrance	24 Tips/Rack	Nature	Ultra Low retention	TR10000D-L-S	16 Racks	42.5	28.5	41	6.90
10mL, Small entrance	100 Tips/Bag	Nature		TB10000D-L	10 Bags	48.5	26	39.5	6.10
10mL, Small entrance	24 Tips/Rack	Nature	Common	TR10000E-S	16 Racks	42.5	28.5	41	6.90
10mL, Small entrance	100 Tips/Bag	Nature		TB10000E	10 Bags	48.5	26	39.5	6.10
10mL, Small entrance	24 Tips/Rack	Nature	Ultra Low retention	TR10000E-L-S	16 Racks	42.5	28.5	41	6.90
10mL, Small entrance	100 Tips/Bag	Nature		TB10000E-L	10 Bags	48.5	26	39.5	6.10

**COMPATIBILITY**

Pipette Brand Cat.#	Eppendorf	Dragon	Sartorius	Brand	LABSERV	Thermo	Thermo Finnpipette	Watson	Gilson	Rainin UNV	Biohit	IKA	VWR
TR5000L-S; TB5000L; TR5000L-L-S; TB5000L-L	✓	✓	✓		✓								
TR5000T-S; TB5000T; TR5000T-L-S; TB5000T-L				✓			✓						
TR5000E-S; TB5000E; TR5000E-L-S; TB5000E-L	✓	✓	✓					✓			✓	✓	✓
TR5000G-S; TB5000G; TR5000G-L-S; TB5000G-L									✓	✓			
TR5000F-S; TB5000F; TR5000F-L-S; TB5000F-L	✓	✓	✓		✓								
TR10000T-S; TB10000T; TR10000T-L-S; TB10000T-L						✓							✓
TR10000D-S; TB10000D; TR10000D-L-S; TB10000D-L	✓	✓		✓	✓								✓
TR10000E-S; TB10000E; TR10000E-L-S; TB10000E-L	✓		✓	✓	✓				✓	✓		✓	