

# DATA SHEET

## PCR Tubes

ISO 9001

### Features



Repeatedly autoclavable at 121°C.



They are free of detectable RNase, DNase, metals, and human DNA, and non-pyrogenic.



Made from high-quality virgin polypropylene.

Attached caps with excellent sealing capability help reduce cross-contamination.



Avoid pipetting errors through easy labeling on PCR reaction tubes caps and hinges.



High transparency even on the tube base.



### Quality Assurance

Effective quality inspections are conducted for strict quality management and control per the client's needs.

Seal tightness test

Precise equipment are used to test the seal tightness of the tubes, to ensure good seal tightness for each batch of products.

### Application

The most common application of PCR tubes includes various molecular biology biochemistry experiments requiring real-time PCR (Polymerase Chain Reaction). As these tubes have ultra-thin walls, they are perfect for accurate and steady thermal transfer in an array of thermocyclers. Our thin-wall PCR tubes meet the protocols required for PCR, qPCR, reverse transcriptions, and a variety of other applications.

**We Open To New Ideas!**



### SHAOXING GENFOLLOWER BIOTECH CO.,LTD.

**Add:** Eastern industrial park, Baiguan street, Shangyu district, Shaoxing city, Zhejiang province, China

**Email:** GenFollower@Genfollower.com

**Web:** www.GenFollower.com

**Fax:** +86-575-82032762

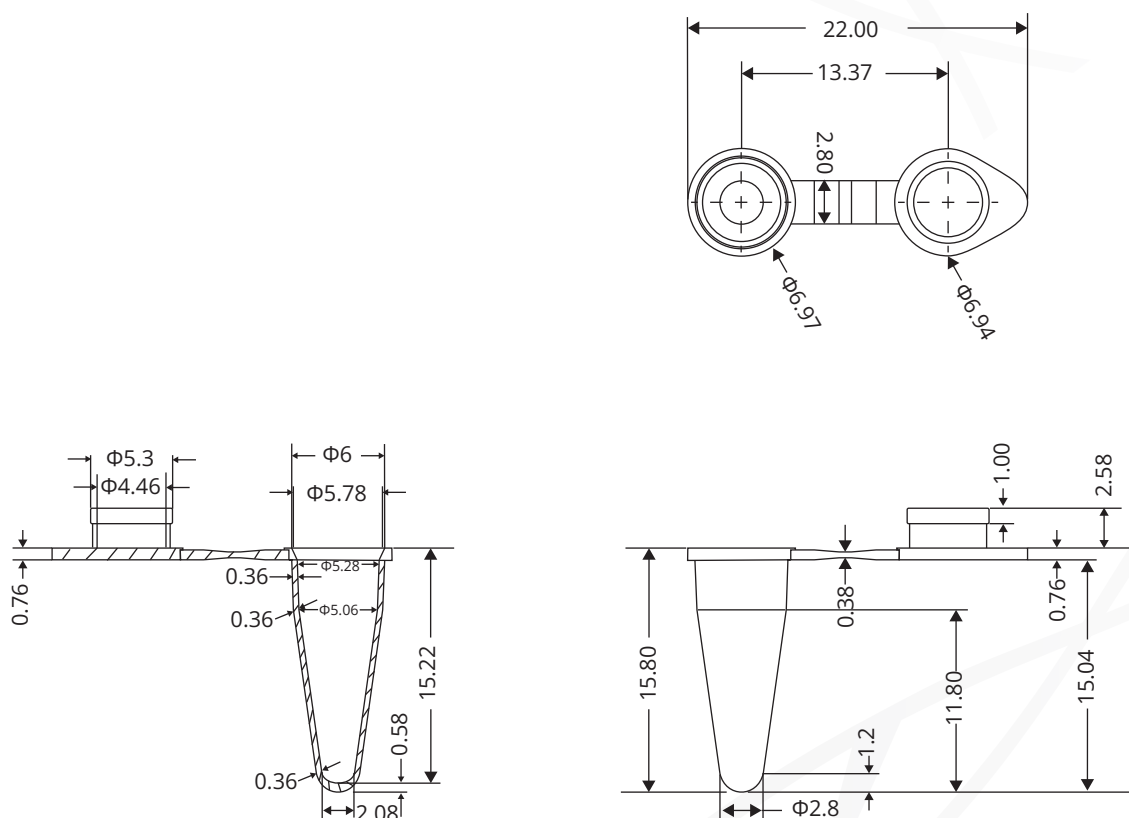
**Tel:** +86-575-82936953

**GenFollower**<sup>®</sup>

### Product Range

Cat.No	Product Description	Packaging
PCR001FG	0.1mL Single PCR tubes, Optical cap, Nature, sterile, DNase and RNase free	1000 PCS/Bag, 10 Bags/Case
PCR002F	0.2mL Single PCR tubes, Flat cap, Nature, sterile, DNase and RNase free	1000 PCS/Bag, 10 Bags/Case
PCR002FG	0.2mL Single PCR tubes, Optical cap, Nature, sterile, DNase and RNase free	1000 PCS/Bag, 10 Bags/Case
PCR002D	0.2mL Single PCR tubes, Domed cap, Nature, sterile, DNase and RNase free	1000 PCS/Bag, 10 Bags/Case
PCR005	0.5mL Single PCR tubes, Flat cap, Nature, sterile, DNase and RNase free	1000 PCS/Bag, 10 Bags/Case

### Technical Drawing - PCR001FG



(Unit: mm)

### SHAOXING GENFOLLOWER BIOTECH CO.,LTD.

**Add:** Eastern industrial park, Baiguan street, Shangyu district,

Shaoxing city, Zhejiang province, China

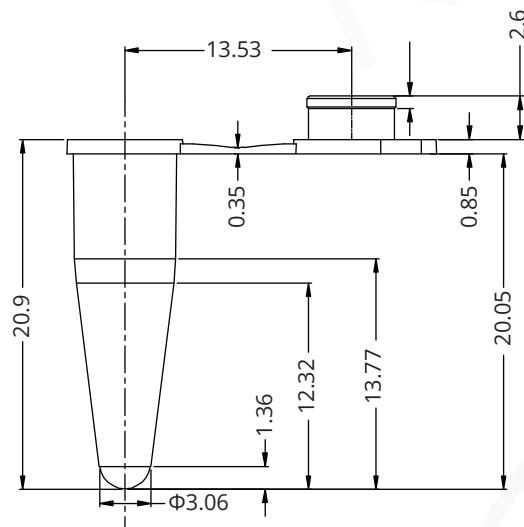
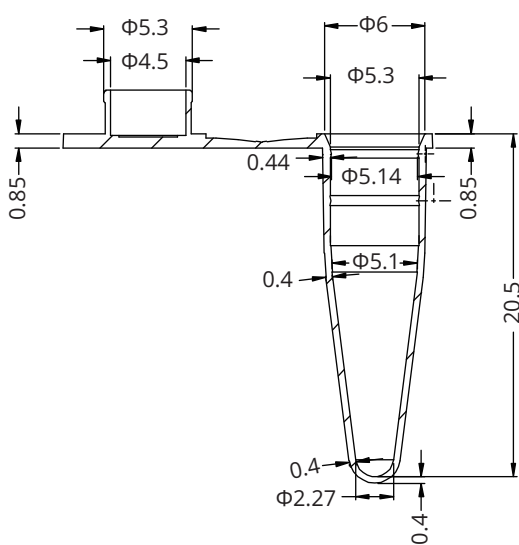
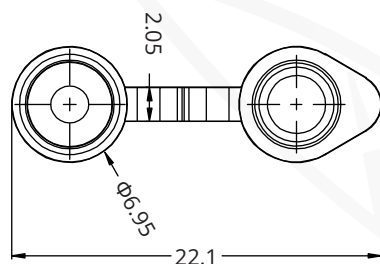
**Email:** GenFollower@Genfollower.com

**Web:** www.GenFollower.com

**Fax:** +86-575-82032762

**Tel:** +86-575-82936953

## Technical Drawing - PCR002F



(Unit: mm)

### SHAOXING GENFOLLOWER BIOTECH CO.,LTD.

**Add:** Eastern industrial park, Baiguan street, Shangyu district, Shaoxing city, Zhejiang province, China

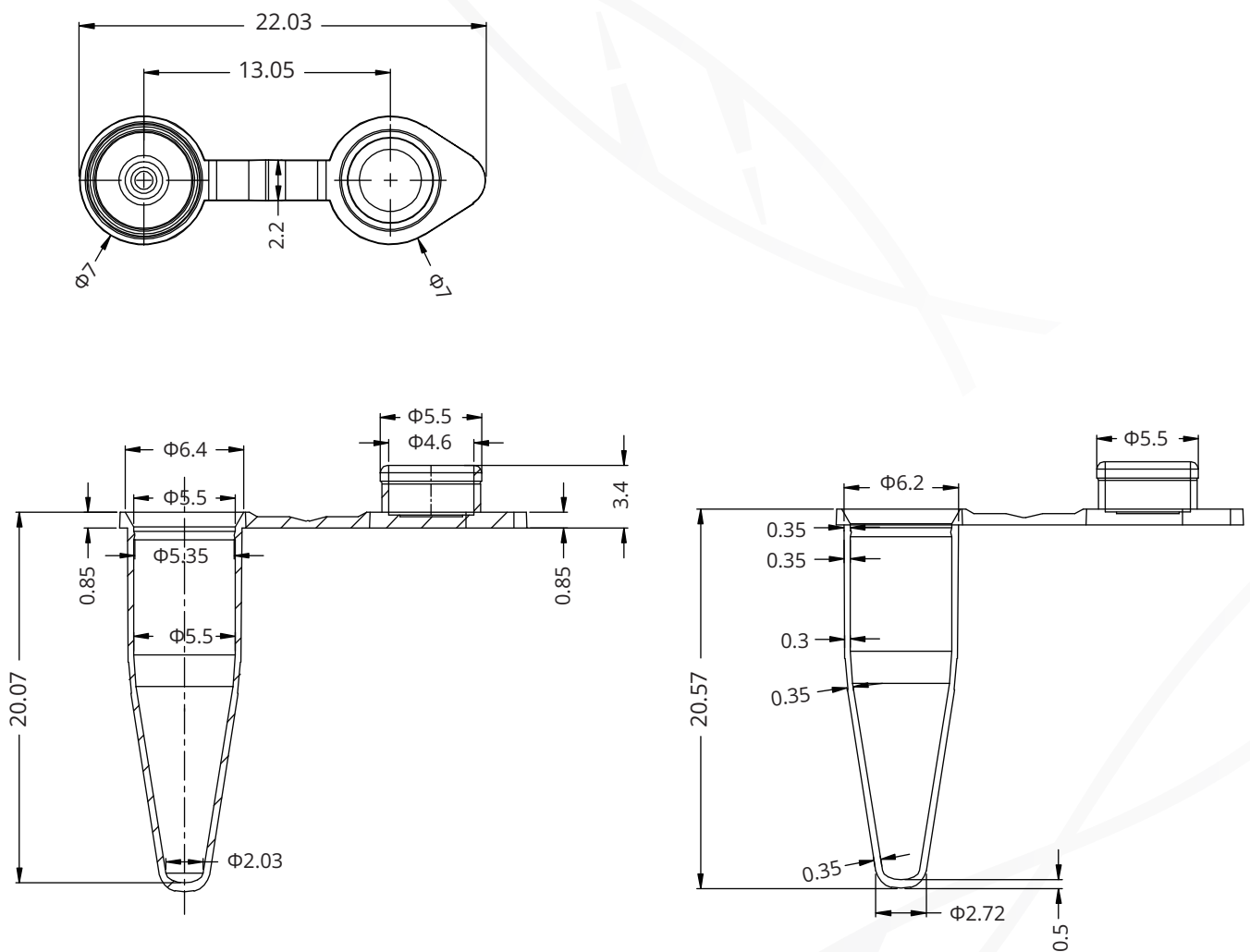
**Email:** GenFollower@Genfollower.com

**Web:** www.GenFollower.com

**Fax:** +86-575-82032762

**Tel:** +86-575-82936953

## Technical Drawing - PCR002FG



(Unit: mm)

### SHAOXING GENFOLLOWER BIOTECH CO.,LTD.

**Add:** Eastern industrial park, Baiguan street, Shangyu district, Shaoxing city, Zhejiang province, China

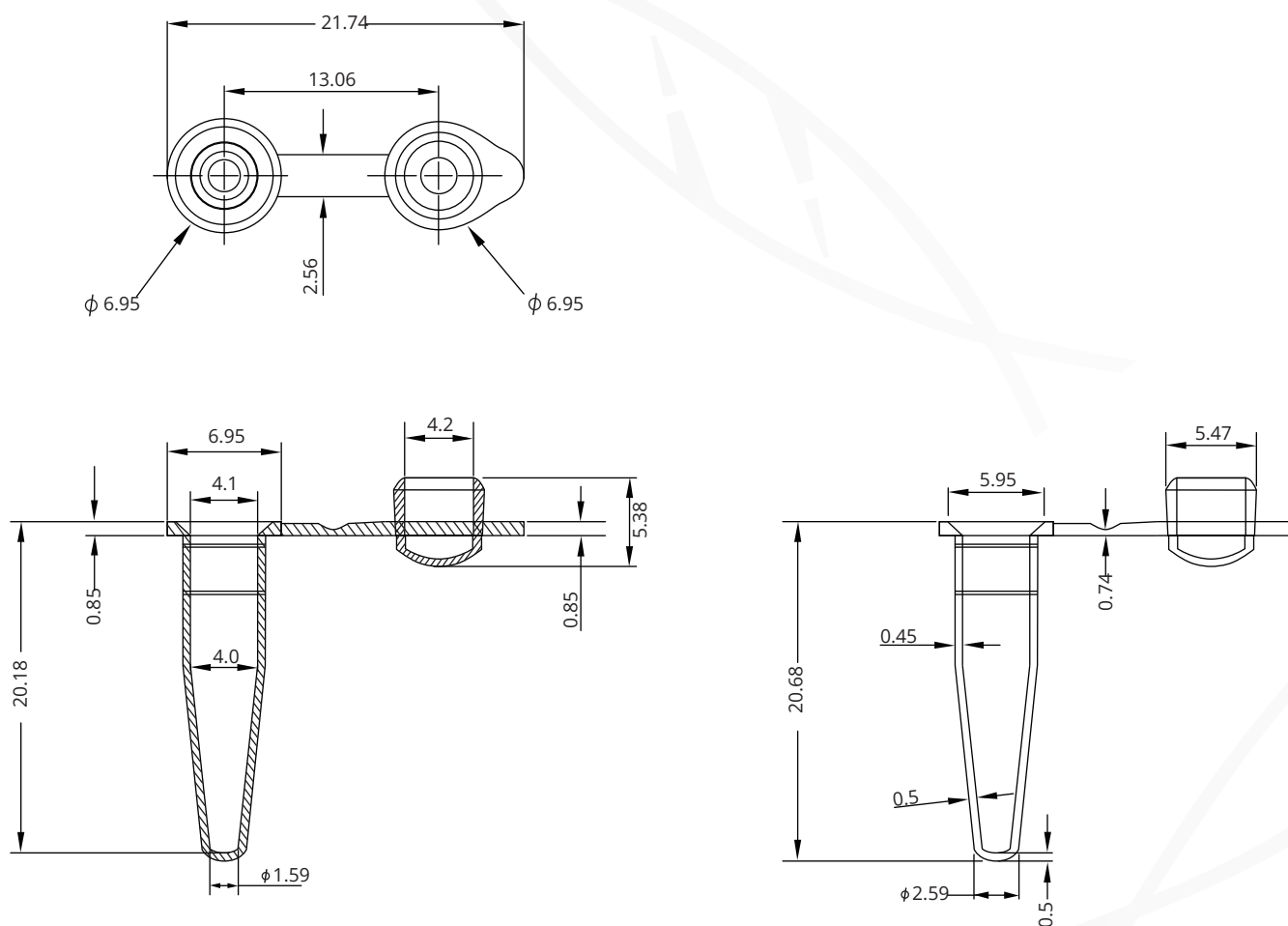
**Email:** GenFollower@Genfollower.com

**Web:** www.GenFollower.com

**Fax:** +86-575-82032762

**Tel:** +86-575-82936953

## Technical Drawing - PCR002D



(Unit: mm)

### SHAOXING GENFOLLOWER BIOTECH CO.,LTD.

**Add:** Eastern industrial park, Baiguan street, Shangyu district, Shaoxing city, Zhejiang province, China

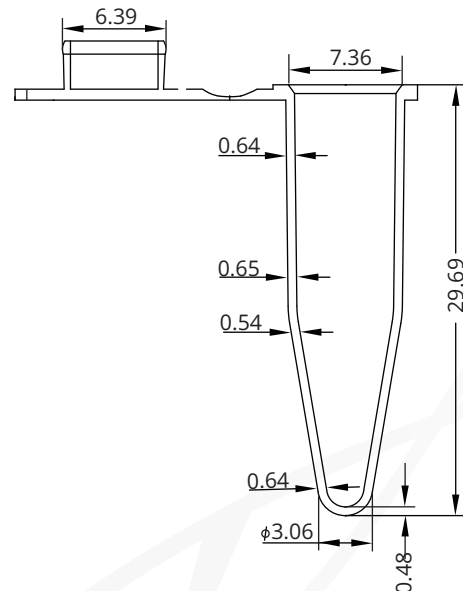
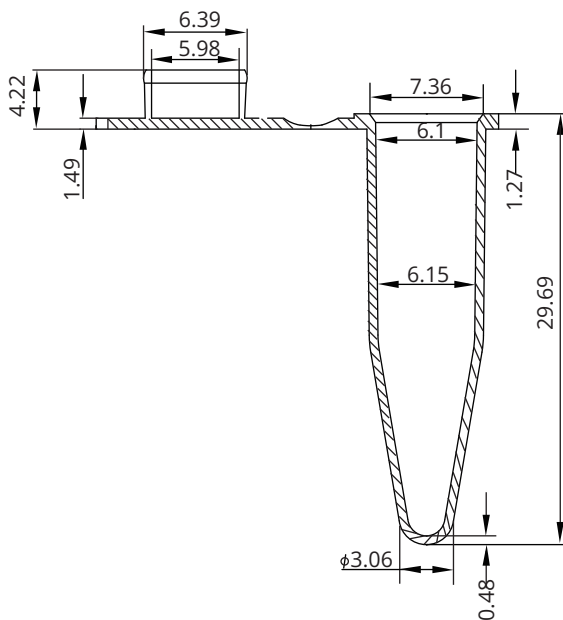
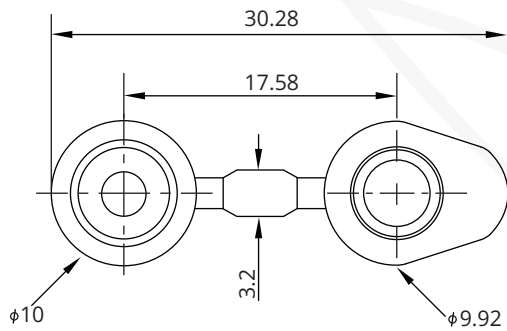
**Email:** GenFollower@Genfollower.com

**Web:** www.GenFollower.com

**Fax:** +86-575-82032762

**Tel:** +86-575-82936953

## Technical Drawing - PCR005



(Unit: mm)

### SHAOXING GENFOLLOWER BIOTECH CO.,LTD.

**Add:** Eastern industrial park, Baiguan street, Shangyu district, Shaoxing city, Zhejiang province, China

**Email:** GenFollower@Genfollower.com

**Web:** www.GenFollower.com

**Fax:** +86-575-82032762

**Tel:** +86-575-82936953