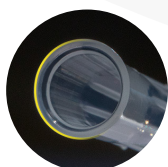


DATA SHEET

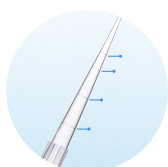
E Series Filter Pipette Tips

ISO 9001

Features



Thinner wall of entrance brings you a softer hand feeling to reduce damage to the wrist in long-term use

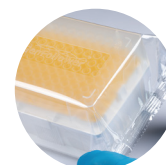


More graduations could meet a wider variety of volume pipetting needs and achieve more precise pipetting

DNase RNase and DNA free,
No human DNA, endotoxin free

ISO
Class 08

No leak on the bag.
100% seal for real pre-sterilized



Different color of wafer helps you
distinguish the type of the tip



Raw Material

Manufactured of natural Polypropylene (PP) using diamond polished molds.

Representative samples of the raw material have passed the USP 88 Biological Reactivity Tests, In Vivo for a Class VI plastic (Systemic Injection Test, Intracutaneous Test, Implantation Test) and USP 87 Biological Reactivity Tests, in Vitro for polymeric materials (Elution Test). In addition, Physico-chemical testing of this product met the USP limits.

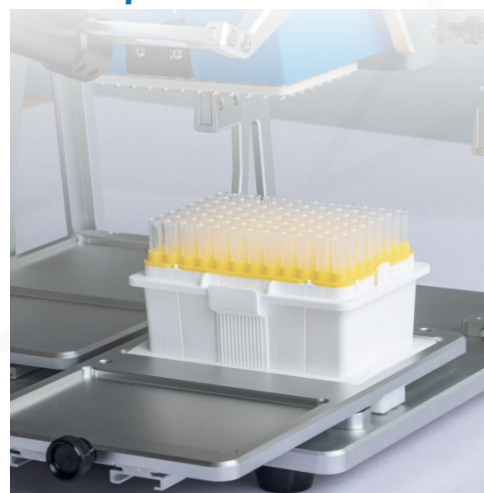
The filters of filter tips are made of Polyethylene (PE).

Application

Universal Compatible with Eppendorf, Gilson and other brands of pipettes.

Rack of the tips is up to ANSI-SLAS standard, which make it compatible with workstations using non-exclusive or non-specific tips.

We Open To New Ideas!



SHAOXING GENFOLLOWER BIOTECH CO.,LTD.

Add: Eastern industrial park, Baiguan street, Shangyu district,
Shaoxing city, Zhejiang province, China
Email: GenFollower@Genfollower.com
Web: www.GenFollower.com
Fax: +86-575-82032762
Tel: +86-575-82936953

**GenFollower**[®]

DATA SHEET

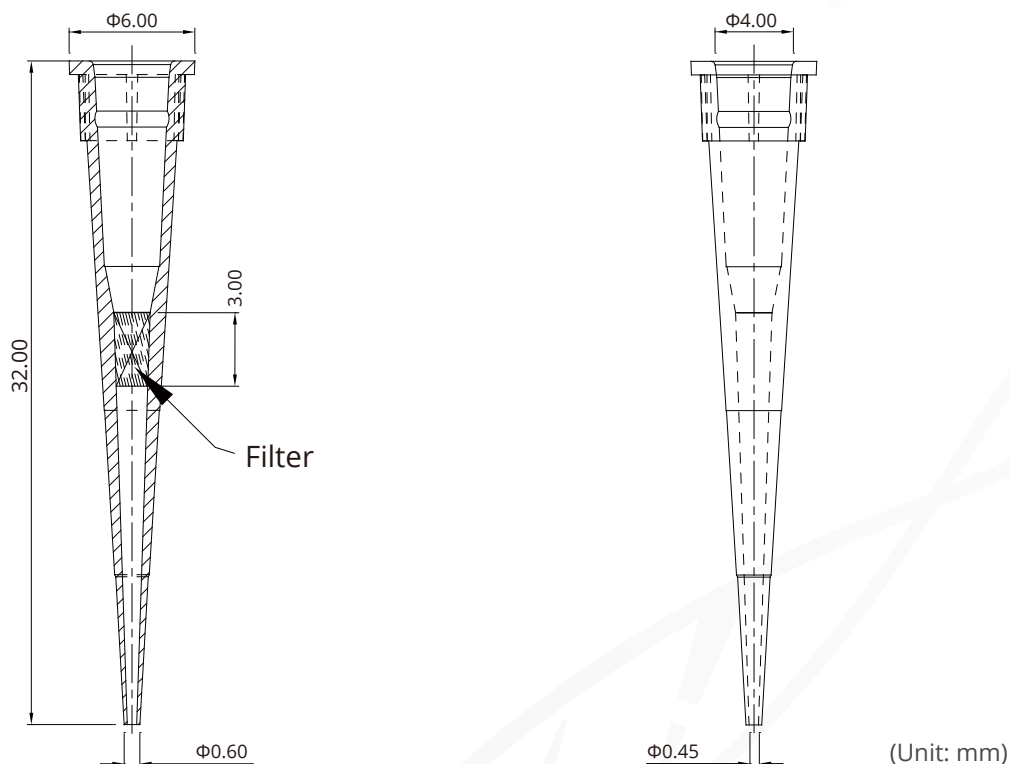
E Series Filter Pipette Tips

ISO 9001

Product Range

Volume	Description	Packaging
10µL, Short	Short 10µL filter pipette tips, Nature, sterile, RNase and DNase free	Racked & Bagged
10µL, Middle	Middle 10µL filter pipette tips, Nature, sterile, RNase and DNase free	Racked & Bagged
10µL, Long	Long 10µL filter pipette tips, Nature, sterile, RNase and DNase free	Racked & Bagged
20µL	20µL filter pipette tips, Nature, sterile, RNase and DNase free	Racked & Bagged
50µL	50µL filter pipette tips, Nature, sterile, RNase and DNase free	Racked & Bagged
100µL	100µL filter pipette tips, Nature, sterile, RNase and DNase free	Racked & Bagged
200µL	200µL filter pipette tips, Nature, sterile, RNase and DNase free	Racked & Bagged
300µL	300µL filter pipette tips, Nature, sterile, RNase and DNase free	Racked & Bagged
1000µL	1000µL filter pipette tips, Nature, sterile, RNase and DNase free	Racked & Bagged
1250µL	1250µL filter pipette tips, Nature, sterile, RNase and DNase free	Racked & Bagged

Technical Drawing - Short 10µL



SHAOXING GENFOLLOWER BIOTECH CO.,LTD.

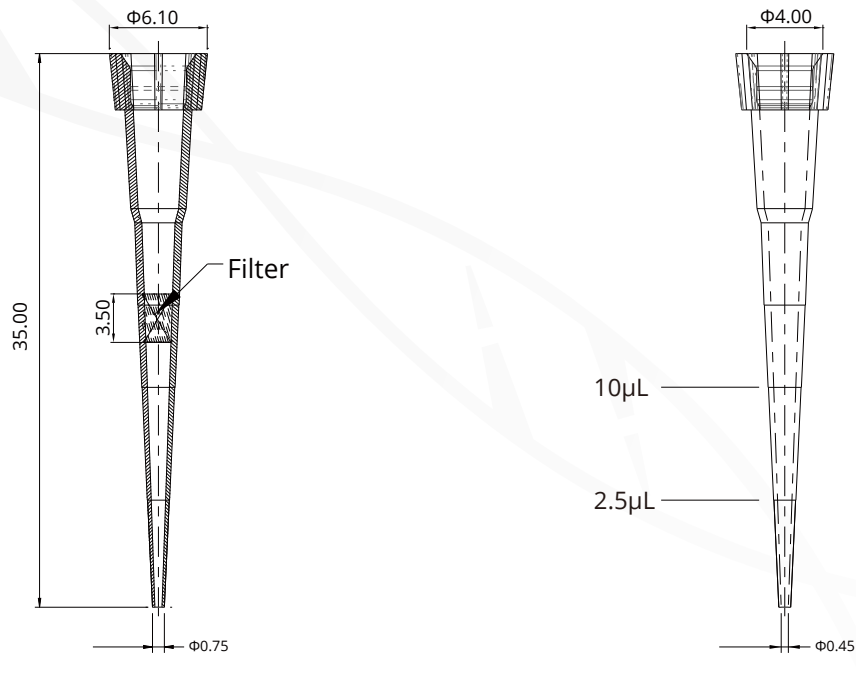
Add: Eastern industrial park, Baiguan street, Shangyu district,
Shaoxing city, Zhejiang province, China
Email: GenFollower@Genfollower.com
Web: www.GenFollower.com
Fax: +86-575-82032762
Tel: +86-575-82936953

DATA SHEET

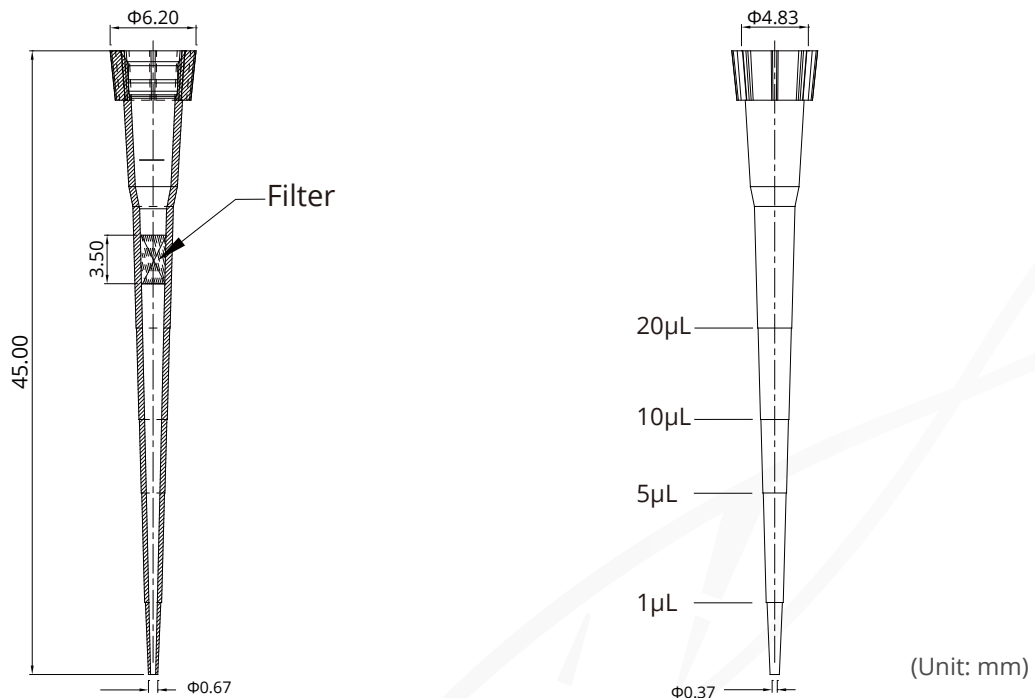
E Series Filter Pipette Tips

ISO 9001

Technical Drawing - Middle 10 μ L



Technical Drawing - Long 10 μ L



SHAOXING GENFOLLOWER BIOTECH CO.,LTD.

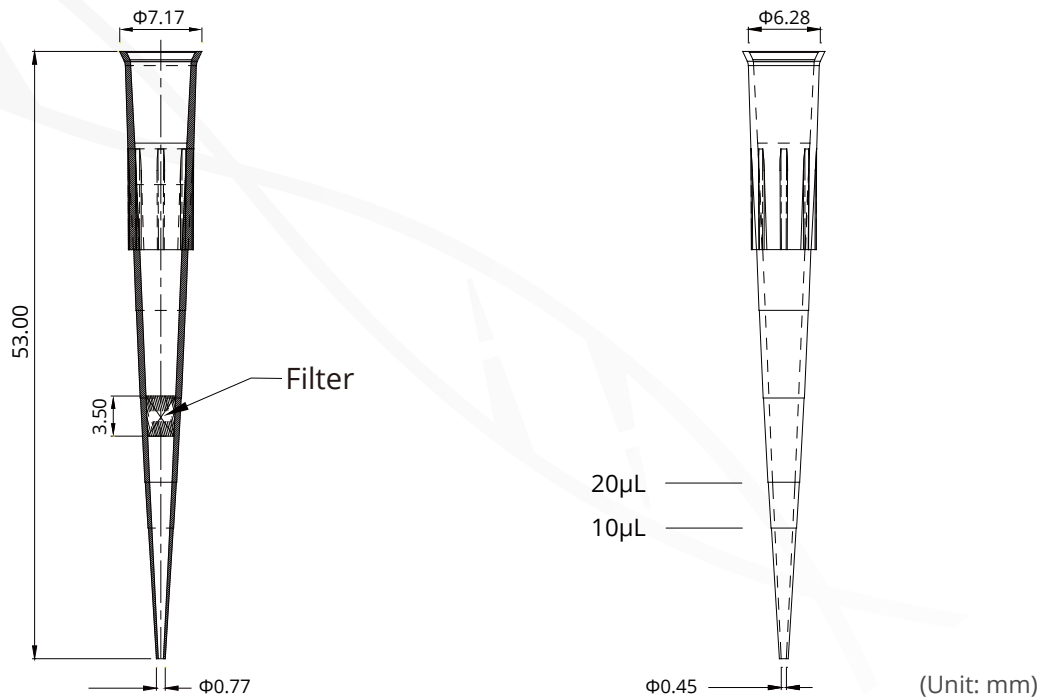
Add: Eastern industrial park, Baiguan street, Shangyu district,
Shaoxing city, Zhejiang province, China
Email: GenFollower@Genfollower.com
Web: www.GenFollower.com
Fax: +86-575-82032762
Tel: +86-575-82936953

DATA SHEET

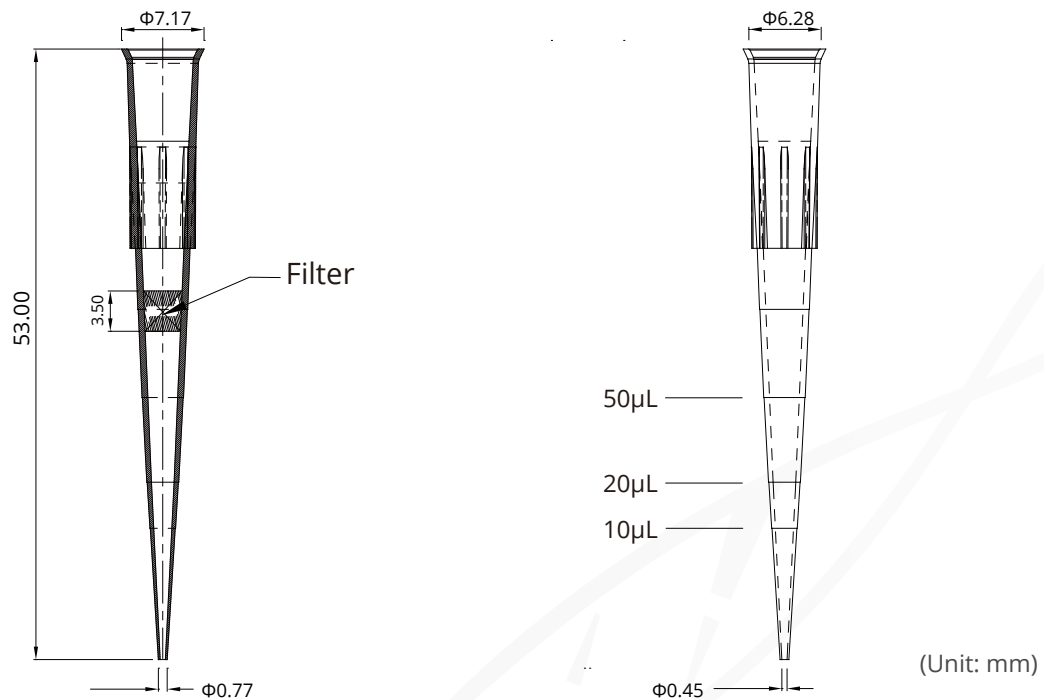
E Series Filter Pipette Tips

ISO 9001

Technical Drawing - 20 μ L



Technical Drawing - 50 μ L



SHAOXING GENFOLLOWER BIOTECH CO.,LTD.

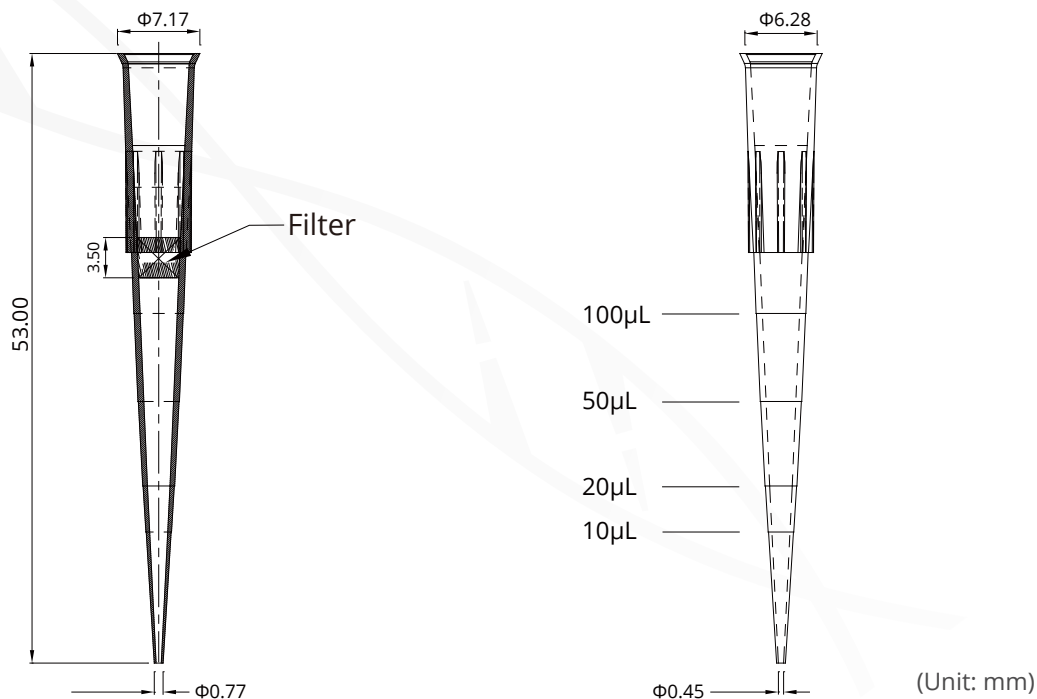
Add: Eastern industrial park, Baiguan street, Shangyu district,
Shaoxing city, Zhejiang province, China
Email: GenFollower@Genfollower.com
Web: www.GenFollower.com
Fax: +86-575-82032762
Tel: +86-575-82936953

DATA SHEET

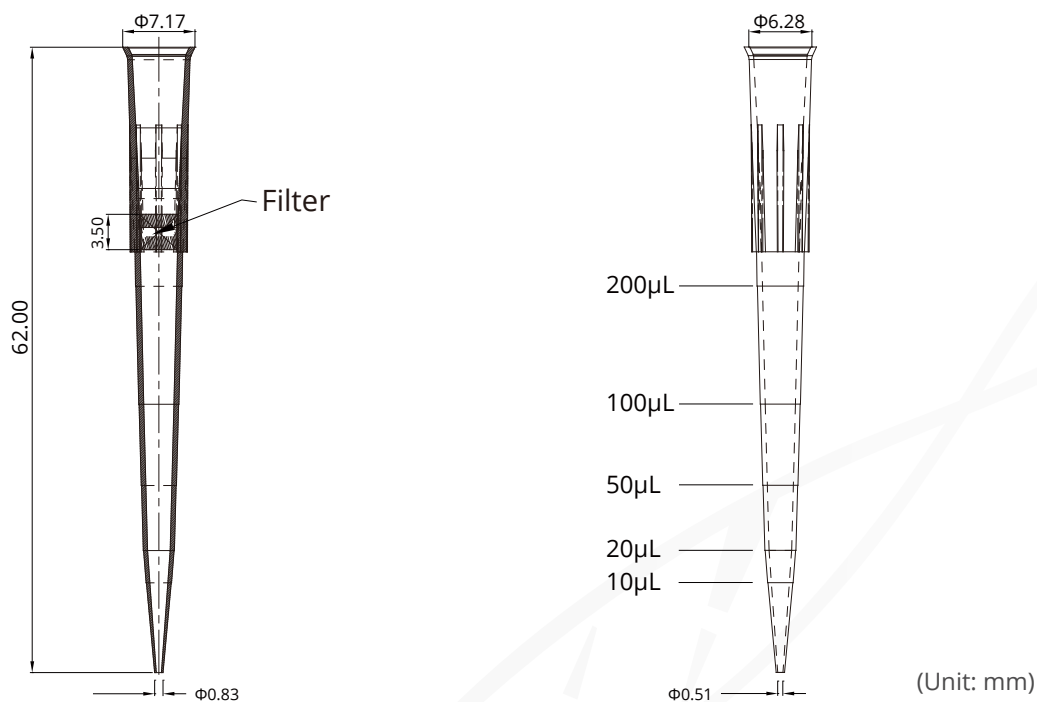
E Series Filter Pipette Tips

ISO 9001

Technical Drawing - 100 μ L



Technical Drawing - 200 μ L



SHAOXING GENFOLLOWER BIOTECH CO.,LTD.

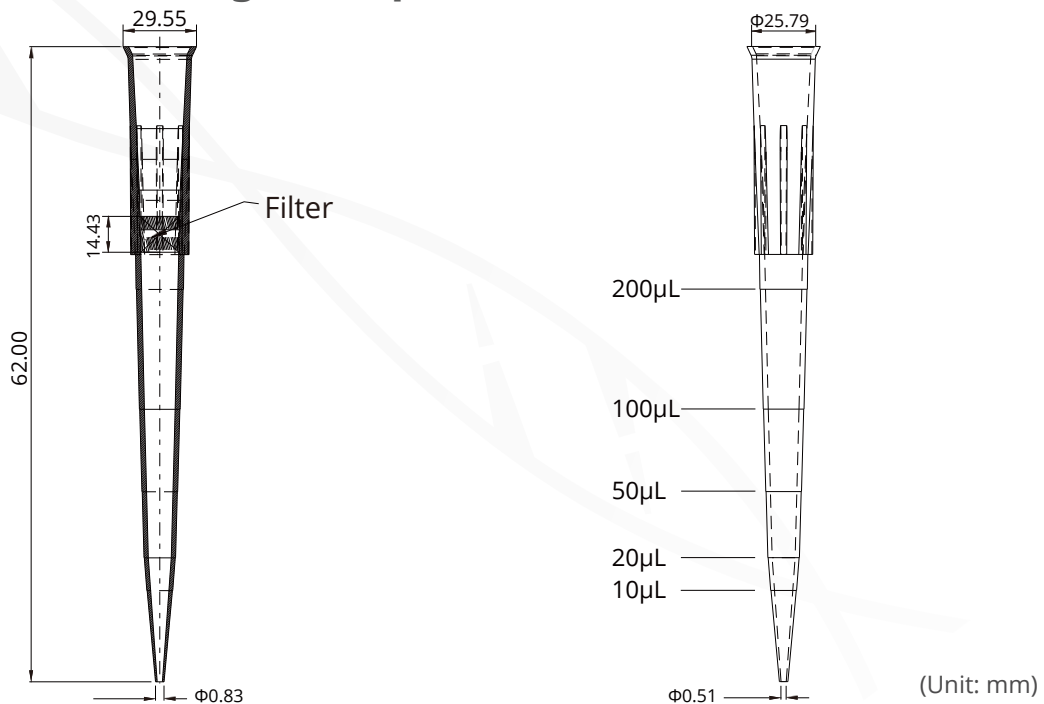
Add: Eastern industrial park, Baiguan street, Shangyu district,
Shaoxing city, Zhejiang province, China
Email: GenFollower@Genfollower.com
Web: www.GenFollower.com
Fax: +86-575-82032762
Tel: +86-575-82936953

DATA SHEET

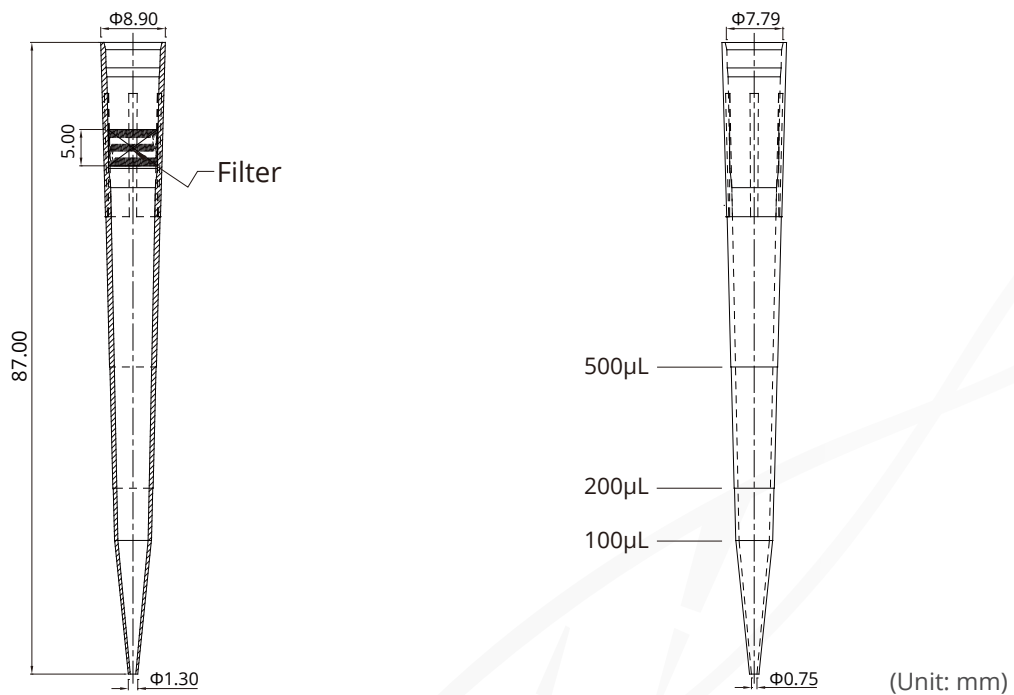
E Series Filter Pipette Tips

ISO 9001

Technical Drawing - 300 μ L



Technical Drawing - 1000 μ L



SHAOXING GENFOLLOWER BIOTECH CO.,LTD.

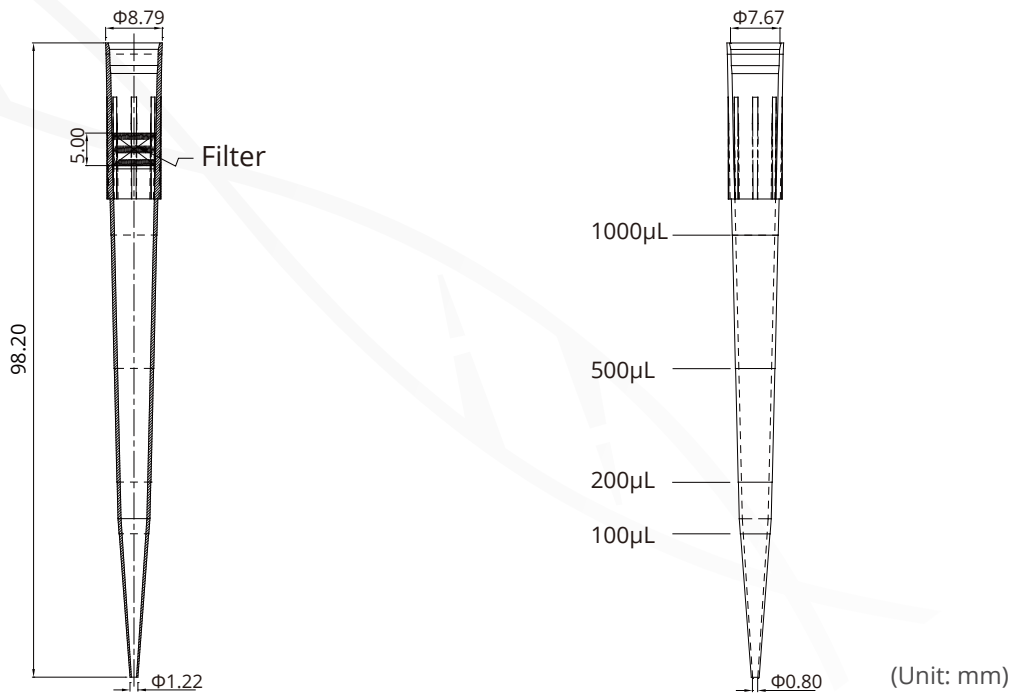
Add: Eastern industrial park, Baiguan street, Shangyu district,
Shaoxing city, Zhejiang province, China
Email: GenFollower@Genfollower.com
Web: www.GenFollower.com
Fax: +86-575-82032762
Tel: +86-575-82936953

DATA SHEET

E Series Filter Pipette Tips

ISO 9001

Technical Drawing - 1250 μ L



SHAOXING GENFOLLOWER BIOTECH CO.,LTD.

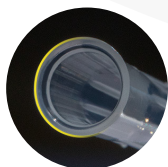
Add: Eastern industrial park, Baiguan street, Shangyu district,
Shaoxing city, Zhejiang province, China
Email: GenFollower@Genfollower.com
Web: www.GenFollower.com
Fax: +86-575-82032762
Tel: +86-575-82936953

DATA SHEET

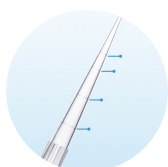
E Series Pipette Tips

ISO 9001

Features



Thinner wall of entrance brings you a softer hand feeling to reduce damage to the wrist in long-term use

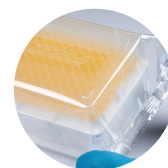


More graduations could meet a wider variety of volume pipetting needs and achieve more precise pipetting

DNase RNase and DNA free,
No human DNA, endotoxin free

ISO
Class 08

No leak on the bag,
100% seal for real pre-sterilized



Autoclavable at +121 C

121 C
Autoclavable

Raw Material

Manufactured of natural Polypropylene (PP) using diamond polished molds.

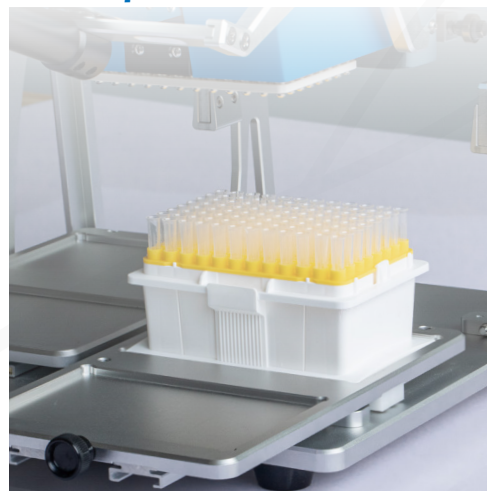
Representative samples of the raw material have passed the USP 88 Biological Reactivity Tests, In Vivo for a Class VI plastic (Systemic Injection Test, Intracutaneous Test, Implantation Test) and USP 87 Biological Reactivity Tests, In Vitro for polymeric materials (Elution Test). In addition, Physico-chemical testing of this product met the USP limits.

Application

Universal Compatible with Eppendorf, Gilson and other brands of pipettes.

Rack of the tips is up to ANSI-SLAS standard, which make it compatible with workstations using non-exclusive or non-specific tips.

We Open To New Ideas!



SHAOXING GENFOLLOWER BIOTECH CO.,LTD.

Add: Eastern industrial park, Baiguan street, Shangyu district,
Shaoxing city, Zhejiang province, China
Email: GenFollower@Genfollower.com
Web: www.GenFollower.com
Fax: +86-575-82032762
Tel: +86-575-82936953

**GenFollower**[®]

DATA SHEET

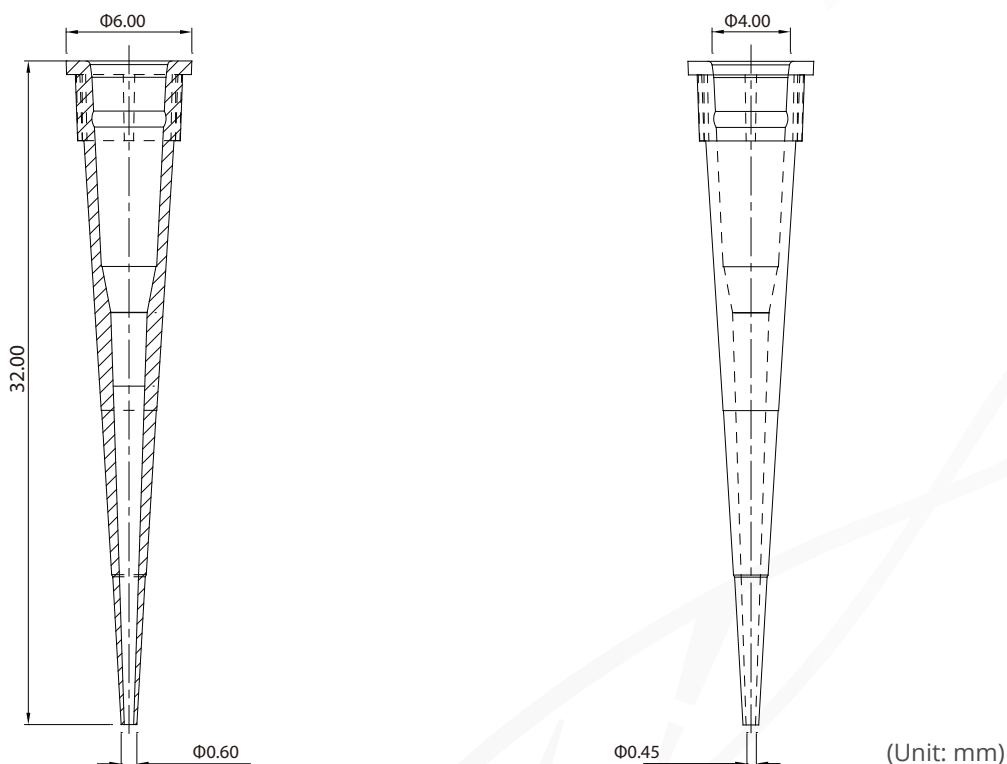
E Series Pipette Tips

ISO 9001

Product Range

Volume	Description	Packaging
10µL, Short	Short 10µL pipette tips, Nature, sterile, RNase and DNase free	Racked & Bagged
10µL, Middle	Middle 10µL pipette tips, Nature, sterile, RNase and DNase free	Racked & Bagged
10µL, Long	Long 10µL pipette tips, Nature, sterile, RNase and DNase free	Racked & Bagged
200µL	200µL pipette tips, Nature, sterile, RNase and DNase free	Racked & Bagged
300µL	300µL pipette tips, Nature, sterile, RNase and DNase free	Racked & Bagged
1000µL	1000µL pipette tips, Nature, sterile, RNase and DNase free	Racked & Bagged
1250µL	1250µL pipette tips, Nature, sterile, RNase and DNase free	Racked & Bagged

Technical Drawing - Short 10µL



SHAOXING GENFOLLOWER BIOTECH CO.,LTD.

Add: Eastern industrial park, Baiguan street, Shangyu district,
 Shaoxing city, Zhejiang province, China
 Email: GenFollower@Genfollower.com
 Web: www.GenFollower.com
 Fax: +86-575-82032762
 Tel: +86-575-82936953

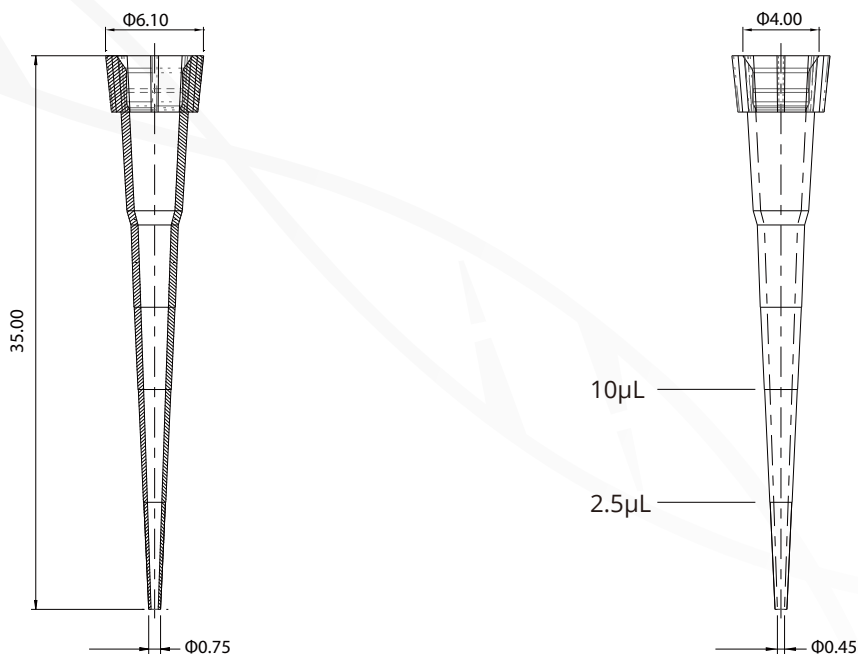


DATA SHEET

E Series Pipette Tips

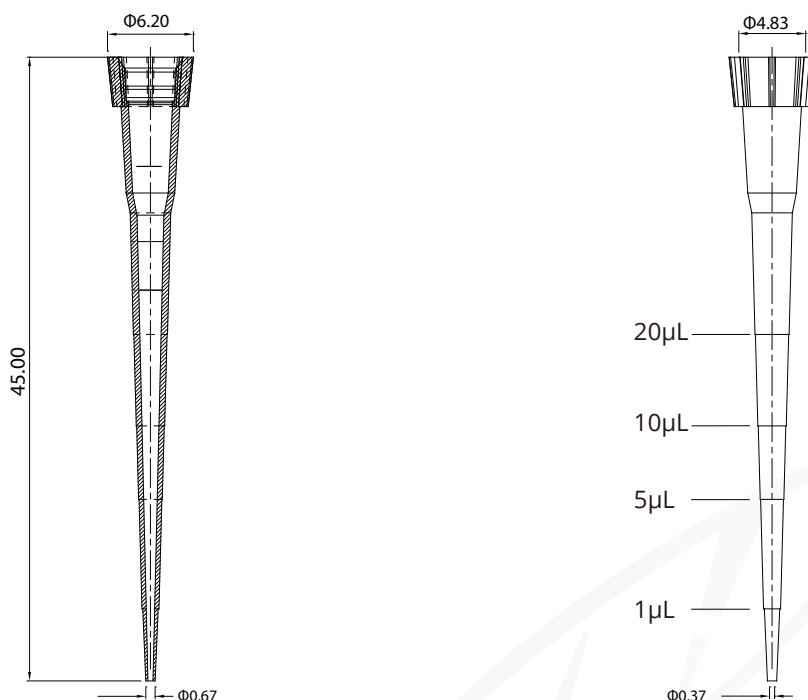
ISO 9001

Technical Drawing - Middle 10 μ L



(Unit: mm)

Technical Drawing - Long 10 μ L



(Unit: mm)

SHAOXING GENFOLLOWER BIOTECH CO.,LTD.

Add: Eastern industrial park, Baiguan street, Shangyu district,
Shaoxing city, Zhejiang province, China

Email: GenFollower@Genfollower.com

Web: www.GenFollower.com

Fax: +86-575-82032762

Tel: +86-575-82936953

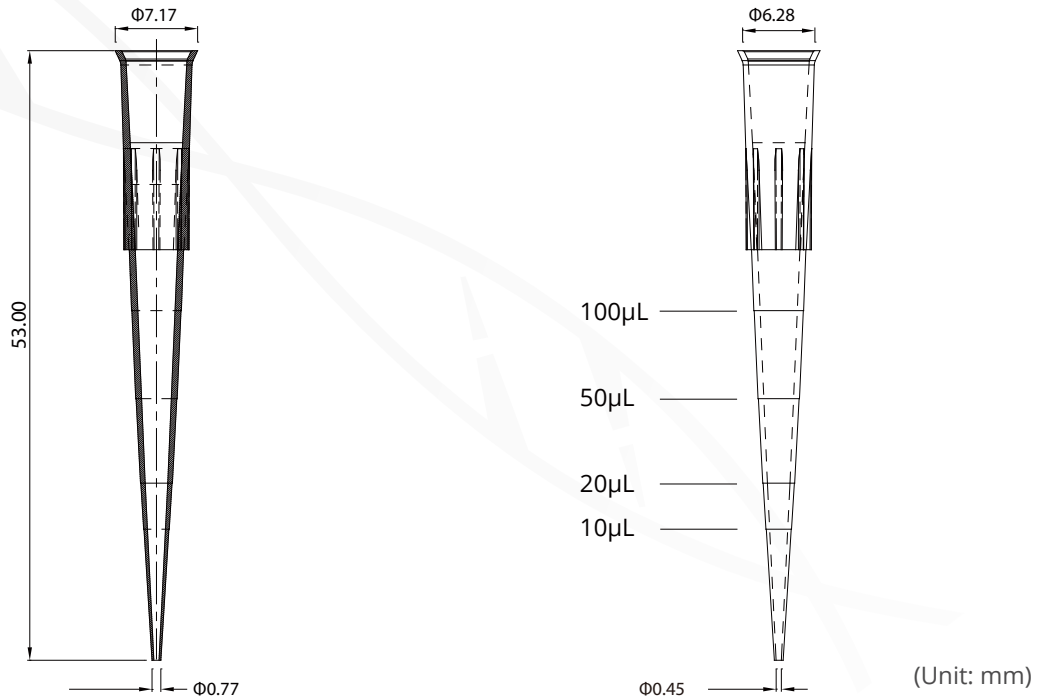

GenFollower[®]

DATA SHEET

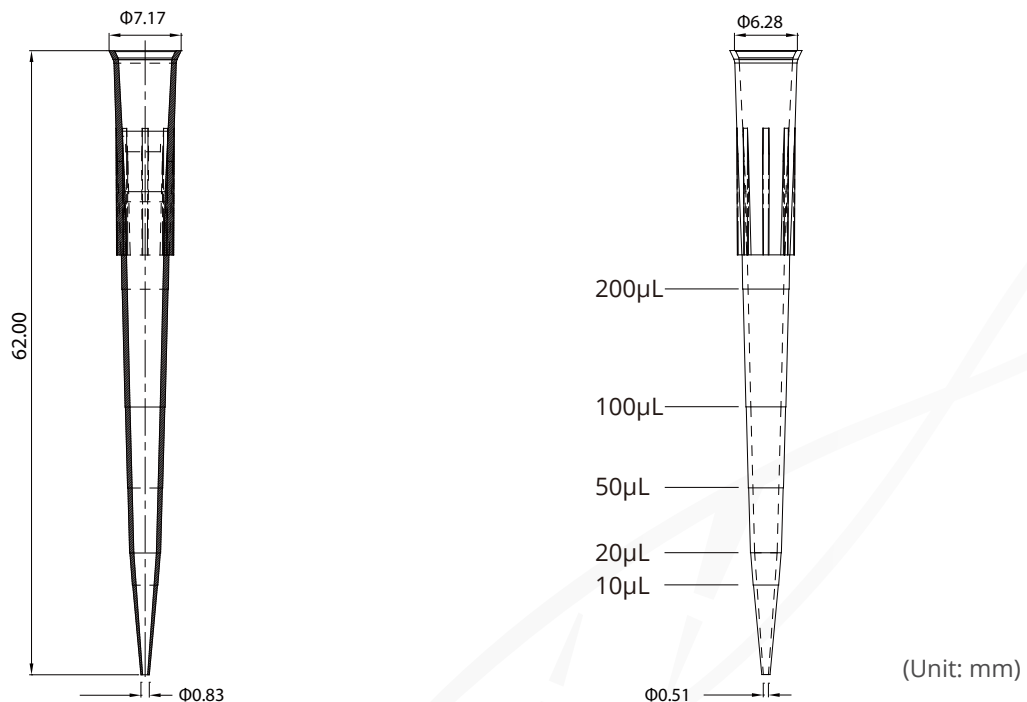
E Series Pipette Tips

ISO 9001

Technical Drawing - 200 μ L



Technical Drawing - 300 μ L



SHAOXING GENFOLLOWER BIOTECH CO.,LTD.

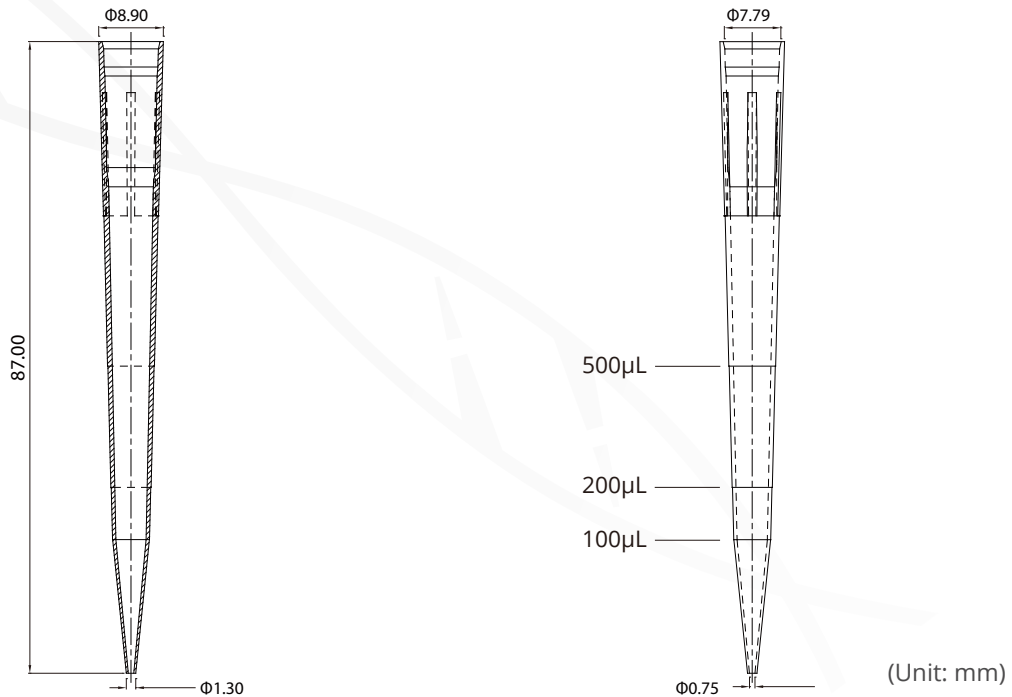
Add: Eastern industrial park, Baiguan street, Shangyu district,
Shaoxing city, Zhejiang province, China
Email: GenFollower@Genfollower.com
Web: www.GenFollower.com
Fax: +86-575-82032762
Tel: +86-575-82936953

DATA SHEET

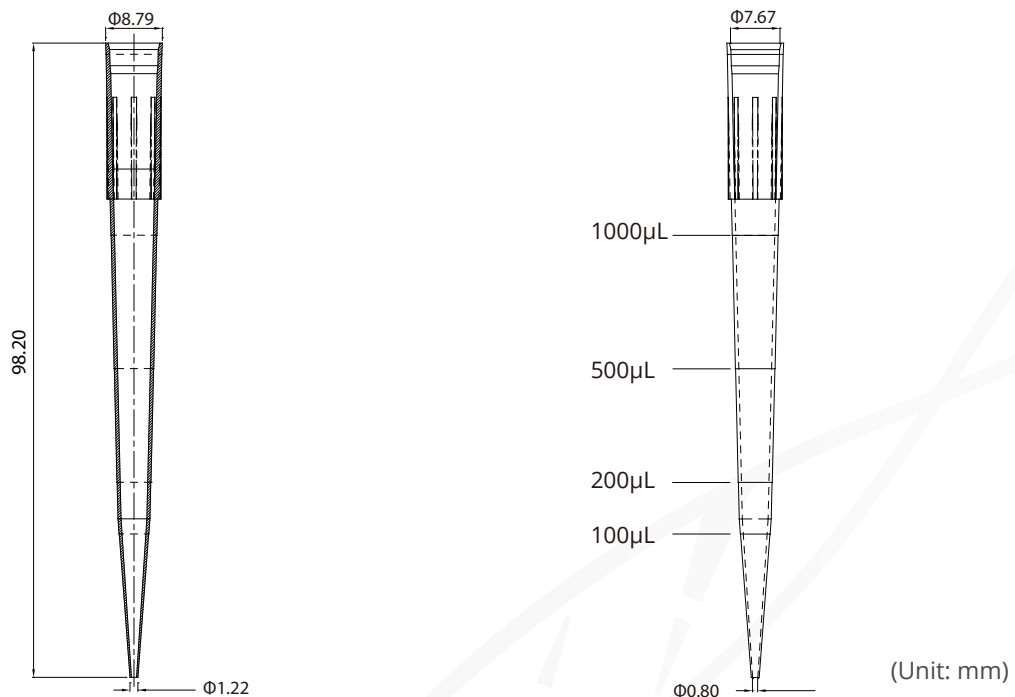
E Series Pipette Tips

ISO 9001

Technical Drawing - 1000 μ L



Technical Drawing - 1250 μ L



SHAOXING GENFOLLOWER BIOTECH CO.,LTD.

Add: Eastern industrial park, Baiguan street, Shangyu district,
Shaoxing city, Zhejiang province, China
Email: GenFollower@Genfollower.com
Web: www.GenFollower.com
Fax: +86-575-82032762
Tel: +86-575-82936953